

High-performance placing and homogeneous spreading of concrete

PLACER / SPREADER

WPS 62i | WPS 102i



US RELEASE

HIGH-PERFORMANCE PLACING AND HOMOGENEOUS SPREADING OF CONCRETE

The cost-effective two-track placer / spreader is designed for high-performance concrete feeding at widths of 12 ft to 24 ft (WPS 62i) or 12 ft to 40 ft (WPS 102i) and thicknesses of 20 in (500 mm).

The machine concept with a hydraulically telescoping machine frame and concrete strike-off unit makes the machine highly adaptable to any job site situation.

The powerful, fast folding feeder conveyor features an intelligent control concept and guarantees maximum concrete availability for the slipform paver following behind it.

The fully modular machine design comes standard-equipped with hydraulic quick-change couplings for easy conversion, rapid transport, and maximum machine availability.

The machine can be precisely controlled via stringline scanning, via 3D applications without a stringline, or via WIRTGEN Autopilot 2.0.





WIRTGEN SLIPFORM PAVERS

OFFSET SLIPFORM PAVERS

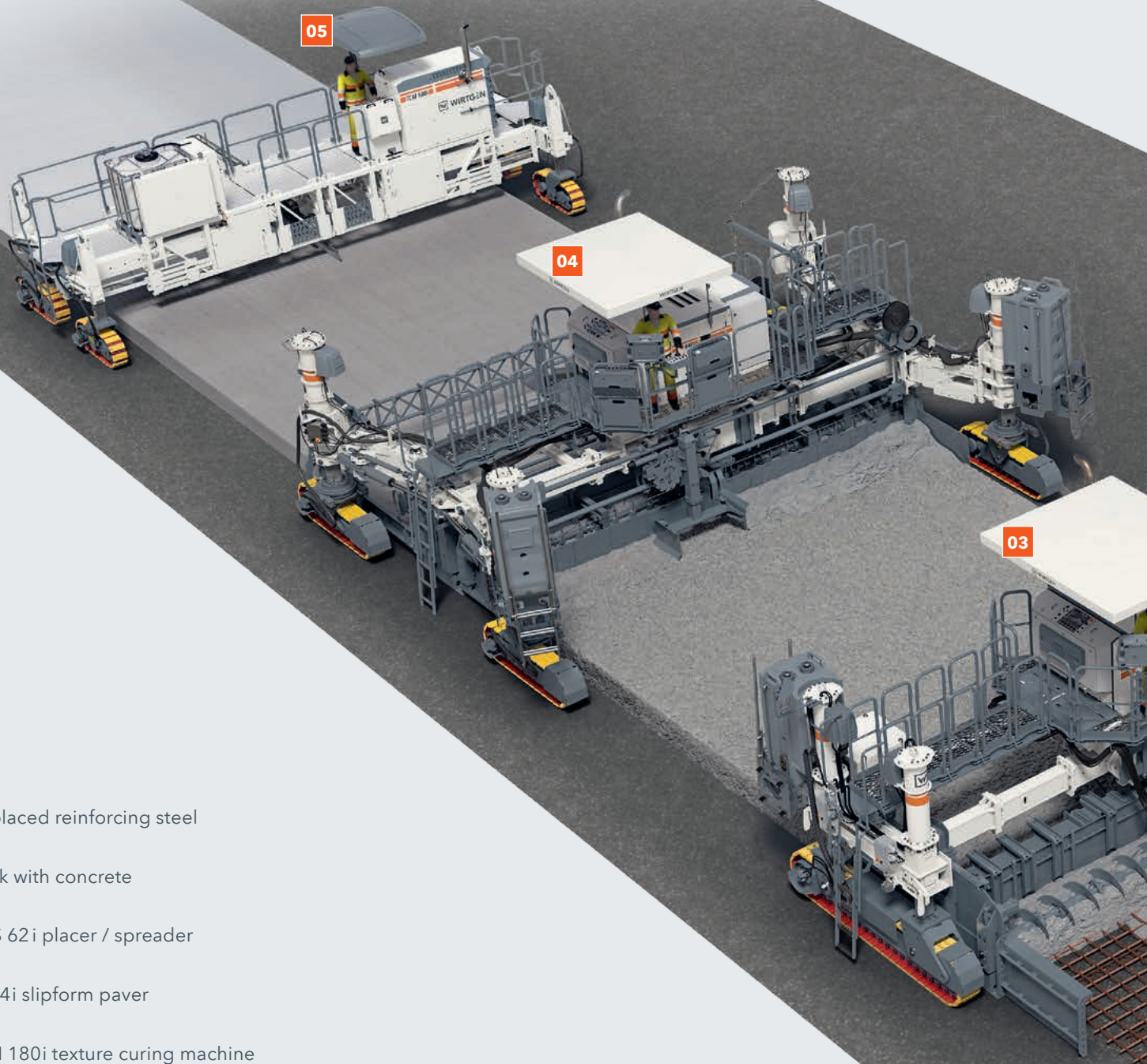
PLACERS / SPREADERS

INSET SLIPFORM PAVERS

TEXTURE CURING MACHINES

W WIRTGEN

OPERATING PRINCIPLE OF A PAVING TRAIN



- 01 Preplaced reinforcing steel
- 02 Truck with concrete
- 03 WPS 62i placer / spreader
- 04 SP 64i slipform paver
- 05 TCM 180i texture curing machine

WIRTGEN > ANIMATIONS



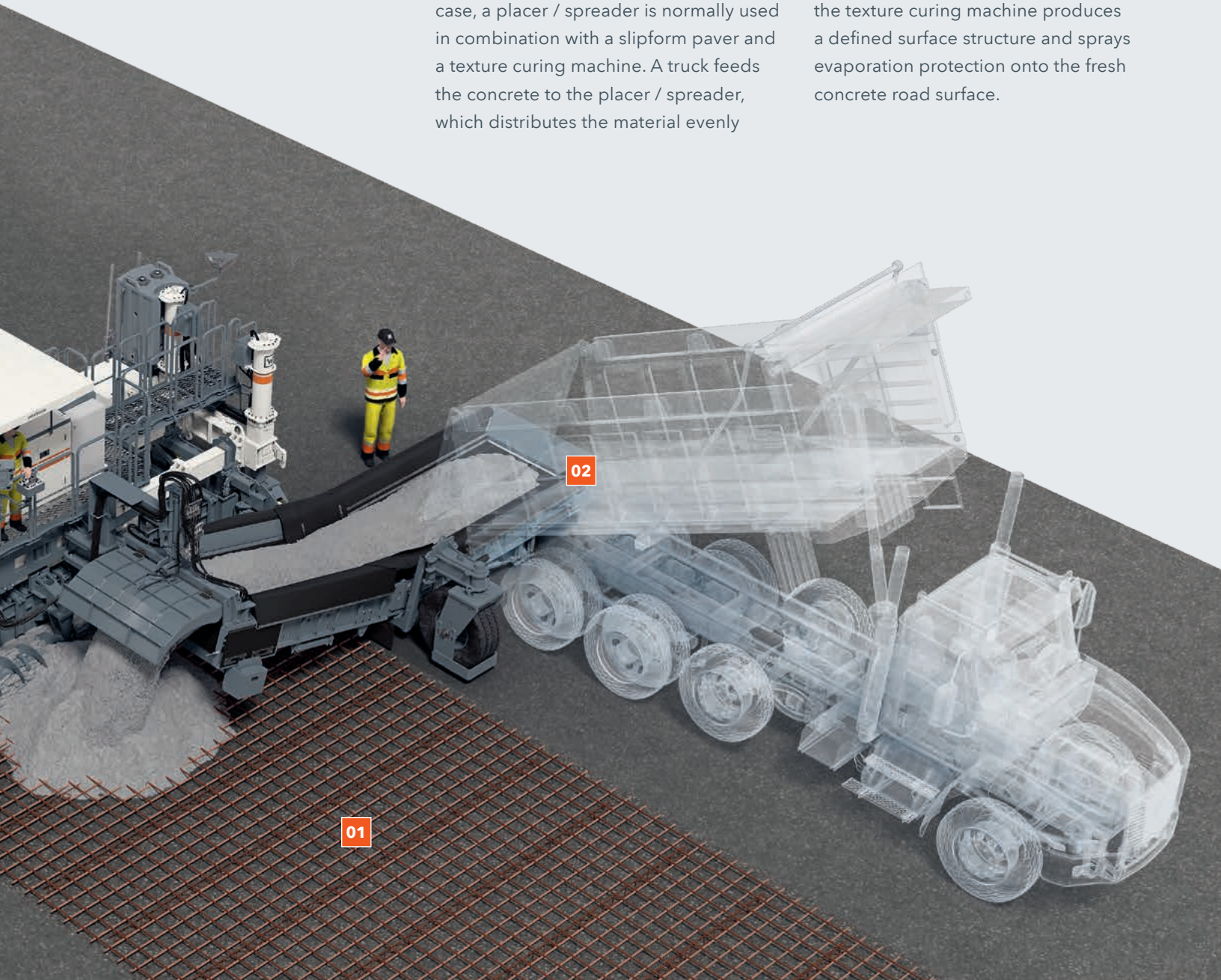
NEED MORE INFORMATION?
Watch our "WPS" animation



Cost-Effective Concrete Paving with Preplaced Reinforcement

When paving concrete over preplaced reinforcing steel, the concrete can often only be supplied from the side. In this case, a placer / spreader is normally used in combination with a slipform paver and a texture curing machine. A truck feeds the concrete to the placer / spreader, which distributes the material evenly

over the preplaced reinforcement. The slipform paver following behind then paves the concrete at the required width - while simultaneously compacting and smoothing it. To complete the process, the texture curing machine produces a defined surface structure and sprays evaporation protection onto the fresh concrete road surface.



AT A GLANCE

Highlights of the Placer / Spreader

01 Intelligent Machine Concept

- > Homogeneous spreading of large quantities of concrete fed in from the side
- > Two-track placer / spreader on the basis of the tried-and-tested SP 62i and SP 102i slipform pavers
- > Fully modular machine design for paving widths from 12 ft to 24 ft (WPS 62i) or 12 ft to 40 ft (WPS 102i)
- > Hydraulically telescoping machine frame
- > Simple, standardized operating concept also found on the latest SP series' models
- > Perfect view of all important work areas, e.g. the strike-off wall and spreading auger
- > Latest engine technology with fuel-efficient and noise-reduced engine management
- > Cost-effective machine operation

02 High-Performance Concrete Feeding System

- > 5 ft 3 in (1.6 m) wide conveyor belt
- > High drive power for high conveyor speed of 9.8 ft/sec (3 m/sec)
- > Feeding unit can be folded extremely fast (approx. 6 seconds)
- > Height-adjustable feeding unit
- > Height and angle of discharge unit hydraulically adjustable
- > Variable baffle plate
- > Two add-on conveyor extensions of different lengths are available for optimal concrete feed at all working widths (WPS 102i only)
- > Numerous helpful functions for the concrete feeding system in hydraulic design standard
- > Effective conveyor belt scraper for reliable cleaning and low wear



03 Heavy-Duty Concrete Unit

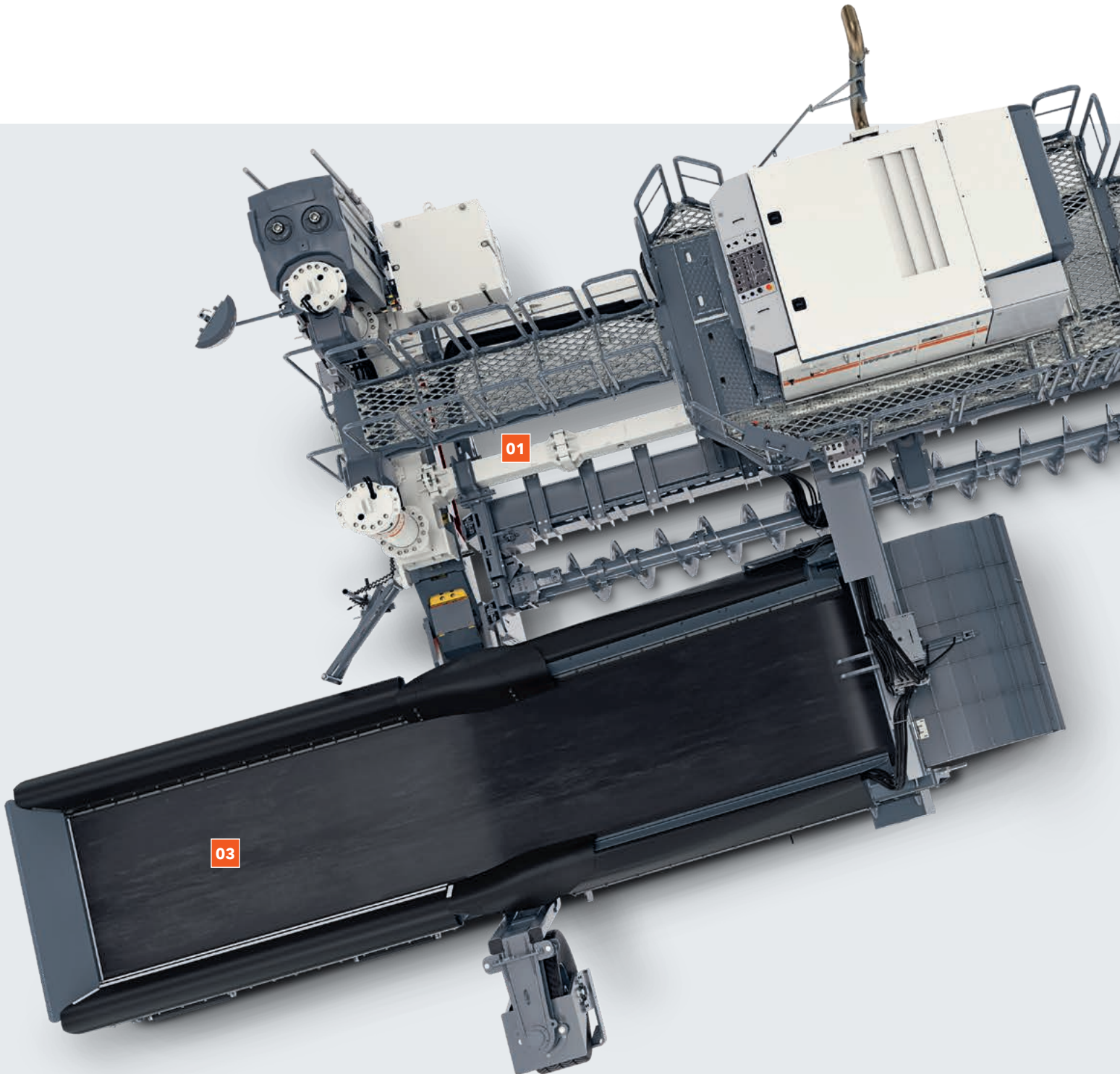
- > High-performance spreading auger for powerful concrete spreading
- > Height of side plates can be adjusted by up to 20 in (500 mm) for reliable operation
- > Heavy-duty strike-off wall with self-supporting telescoping system
- > Height of strike-off wall easily adjustable independent of the machine height
- > Cleaning position for strike-off wall
- > Height of the strike-off wall adjustable via additional remote control (option)
- > Intelligent cylinder features
- > Concrete unit can easily be adapted to central crown paving

04 Simple Conversion and Transport

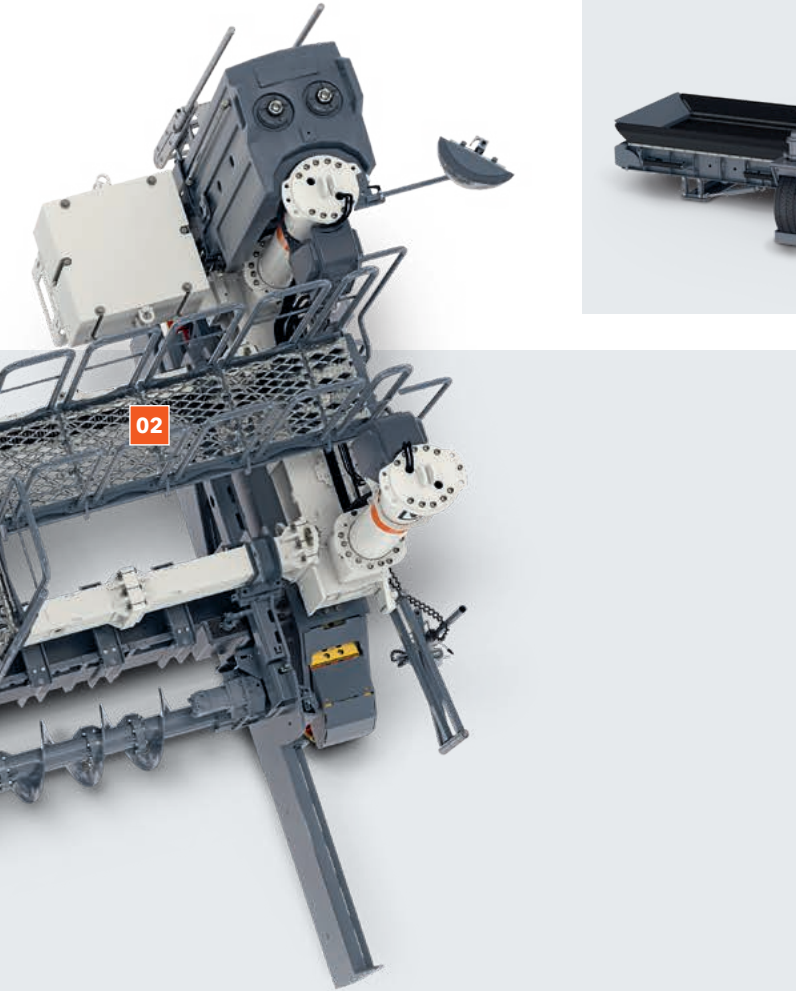
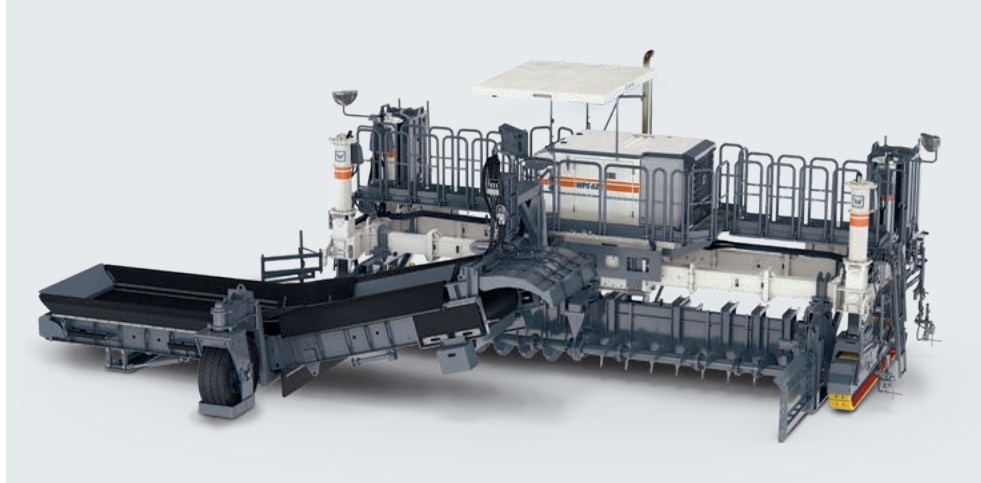
- > Simple and fast width changes of the spreading auger, strike-off wall and chassis
- > Loading ramps (option) for easy and fast transportation
- > No lifting devices required for width changes
- > Compact transport dimensions for easy transport with standard flat bed truck
- > Quick and easy machine setup for either left or right hand operation
- > Multi coupling for simple, fast conversion, machine setup and transport of the concrete feeding system



INTELLIGENT MACHINE CONCEPT



Fully modular machine design for paving widths from 12 ft - 24 ft (WPS 62i).



01 Hydraulically Telescoping Machine Frame

The hydraulically telescoping machine frame makes it easier to adapt the placer / spreader to different site conditions.

02 Fully Modular Machine Design

The fully modular machine design makes it easy to adapt the machine to paving widths from 12 ft to 24 ft (WPS 62i) or 12 ft to 40 ft (WPS 102i).

03 Homogeneous Concrete Spreading

The entire machine concept is geared toward distributing massive quantities of side-fed concrete evenly and flexibly for pavements with widths of up to 24 ft (WPS 62i) or up to 40 ft (WPS 102i) and a thickness of 20 in (500 mm).

Design Based on Field-Proven Slipform Paver

The WPS 62i / WPS 102i placers / spreaders are based on the field-proven and extremely reliable SP 62i / SP 102i two-track slipform pavers.

Simple, Standardized Operating Concept

The standardized, self-explanatory operating concept of the placer / spreader mirrors that of the latest SP series' models and offers additional synergy effects for customers.

Perfect Visibility

The spacious operator's platform provides a perfect view of the paving process - including the strike-off wall and the spreading auger. In addition, the ergonomically designed operator's platform increases the operator's performance.

Cost-Effective Machine Operation

Automatic, demand-based engine management results in optimized engine efficiency, economical diesel consumption, and low noise emissions in the low-speed range, thereby making machine operation more environmentally friendly.

State-of-the-Art Engine Technology

The state-of-the-art, low-noise engine technology of the WPS 62i / WPS 102i meets the stringent requirements of the US EPA Tier 4f emissions standards.

HIGH-PERFORMANCE CONCRETE FEEDING SYSTEM

01 Wide Conveyor Belt

The 5 ft 3 in (1.6 m) wide conveyor belt is able to handle even large quantities of concrete without any difficulties.

02 Height-Adjustable Feeding Unit

The height of the feeding unit can be adjusted variably to the required loading height of the concrete transport vehicles.

03 Intelligent Belt Conveyor Concept

The intelligent belt conveyor concept is designed for processing enormous quantities of concrete.

04 Hydraulically Adjustable Discharge Unit

The height and angle of the discharge unit can be adjusted hydraulically to ensure that the concrete is distributed optimally.

05 Variable Baffle Plate

The angle of the variable baffle plate can be hydraulically adjusted to ensure optimal pre-spreading of the discharged concrete.



High Drive Power

The powerful conveyor drive achieves a high belt speed of up to 9.8 ft/sec (3 m/sec) and a high conveying capacity in any application.

Extremely Fast Folding Process

The process of folding the feeding unit takes approx. 6 seconds and therefore reliably avoids unproductive downtimes waiting for concrete transport vehicles.

Two add-on Conveyor Extensions (WPS 102 i only)

Conveyor extensions with a length of either 3 or 6 feet are available for optimal adaptation of conveyor reach. The exten-

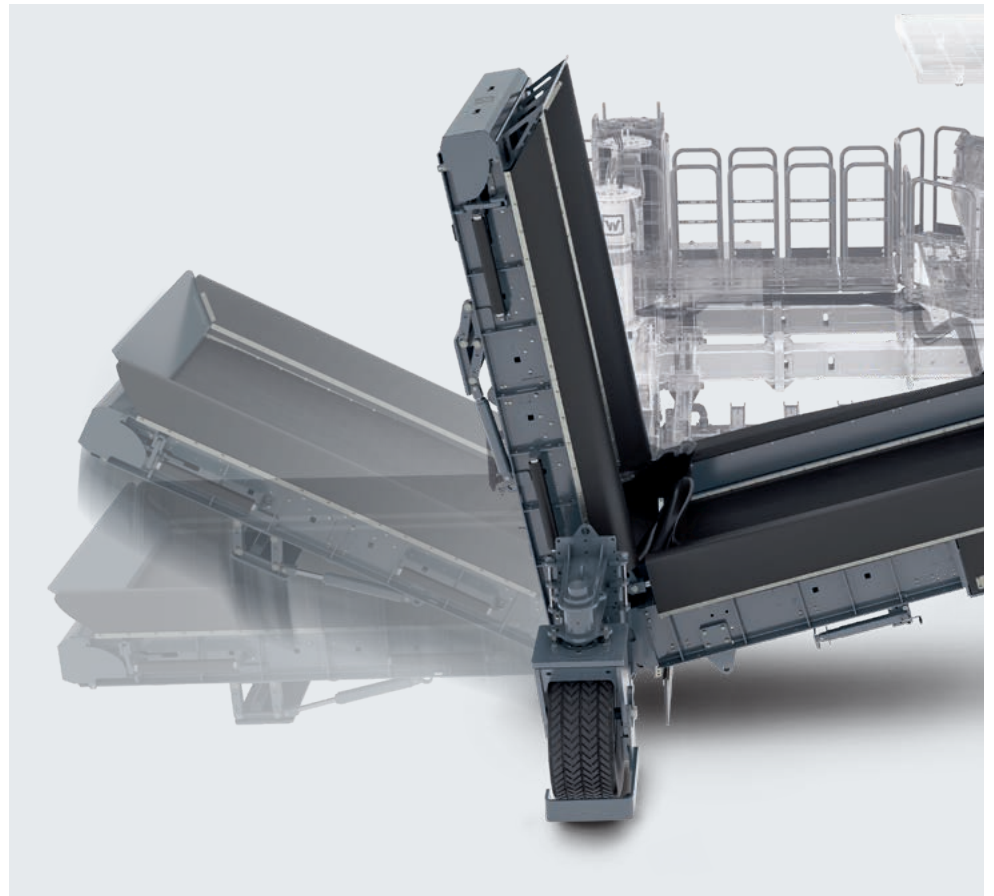
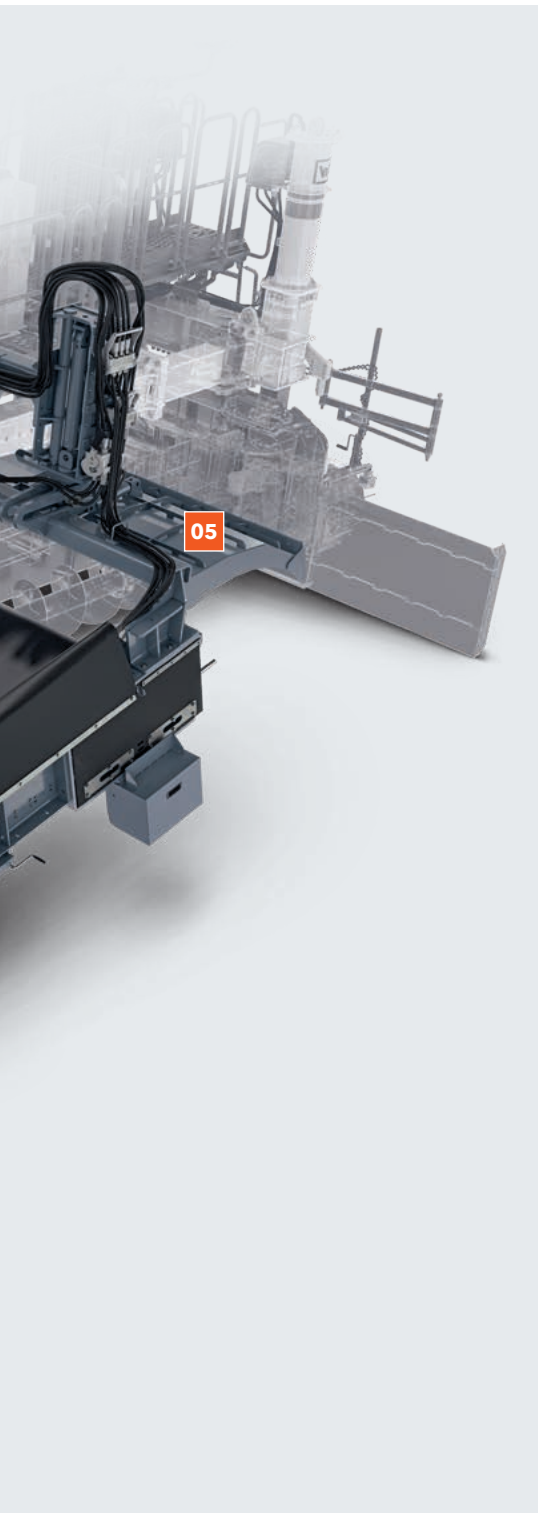
sion can be easily integrated into the conveyor unit and ensures optimal, centered concrete feed independent of the working width.

Hydraulic Functions Standard

Numerous useful concrete feeding functions have been intelligently designed as hydraulic versions standard for fast and reliable operations.

Effective Conveyor Belt Scraper

The modularly positioned scraper below the discharge unit makes it possible to clean the conveyor belt reliably and to reduce wear.



One folding process takes approx. 6 seconds each time.

HEAVY-DUTY CONCRETE UNIT

Heavy-Duty Strike-off Wall

The strike-off wall's width segments, which can be exchanged modularly, are additionally stabilized by the telescope positioned directly behind them.

Height-Adjustable Strike-off Wall

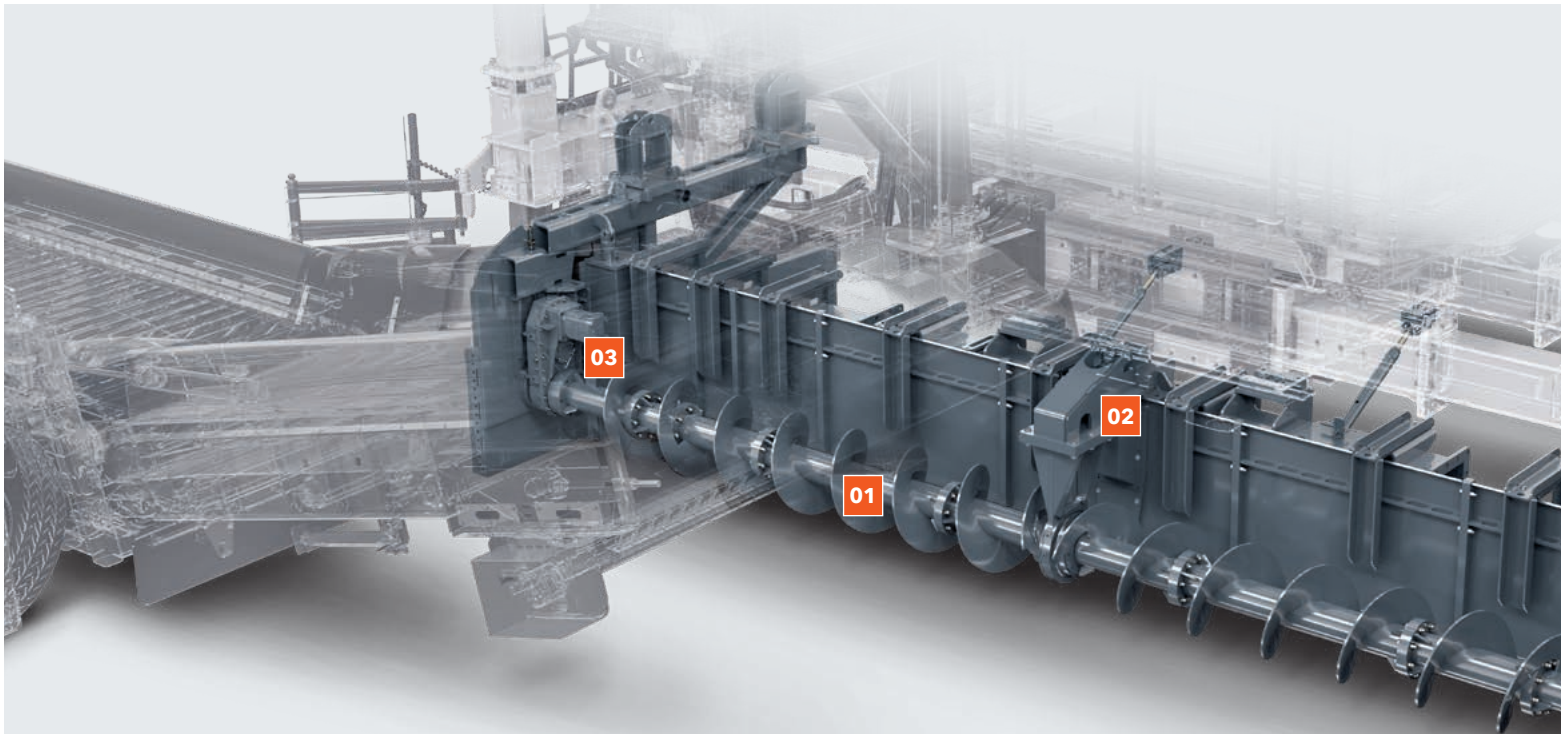
The strike-off wall can be conveniently adjusted to the desired concrete paving height at the touch of a button - and that independent of the actual machine height.

Cleaning Position for Strike-off Wall

Thanks to the particularly deep cleaning position, the adjustable strike-off wall can be easily and efficiently freed of any concrete adhering to it at the end of the shift.

Remote Control for Strike-off Wall *

An additional remote control allows the operator to automatically adjust the height of the strike-off wall from any position.



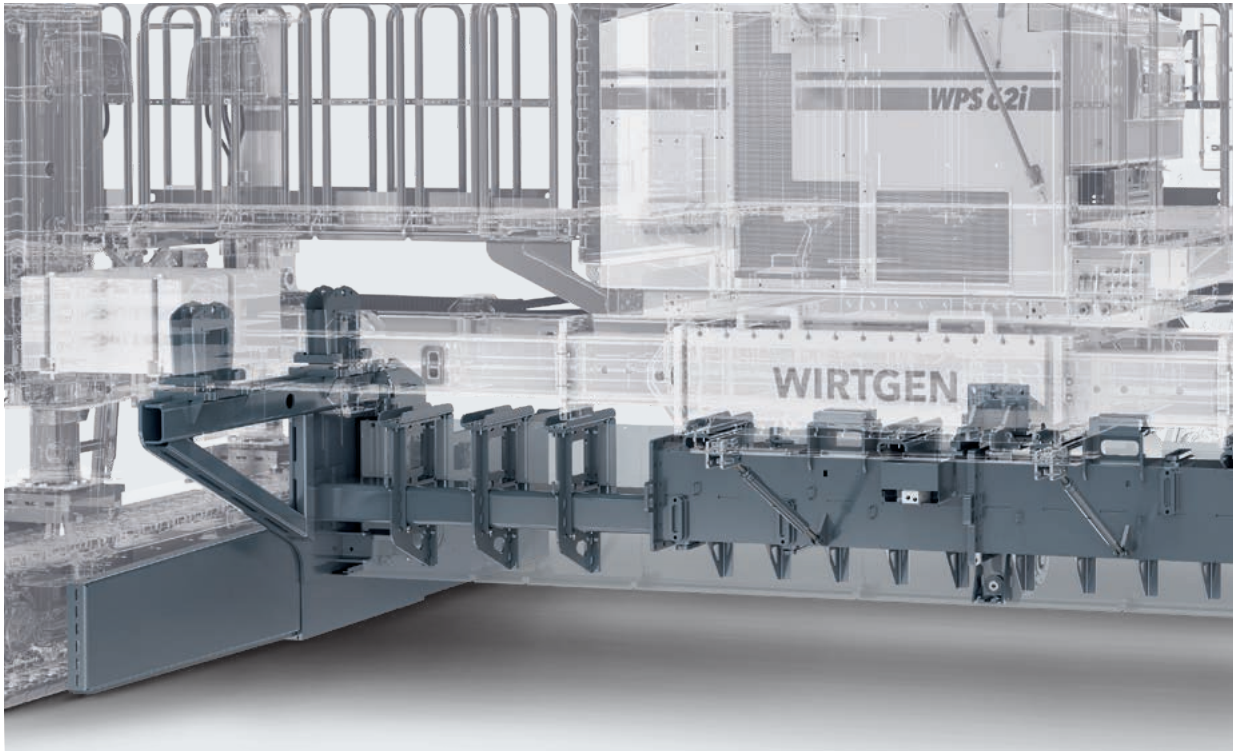
WIRTGEN > ANIMATIONS



* NEED MORE INFORMATION?
Watch our "Remote control"
animation



Modularly designed strike-off wall with telescope.



01 High-Performance Spreading Auger

The centrally divided spreading auger made from extremely wear resistant steel in combination with the powerful drive ensures that even large quantities of concrete are spread homogeneously.

02 Central Crown Paving

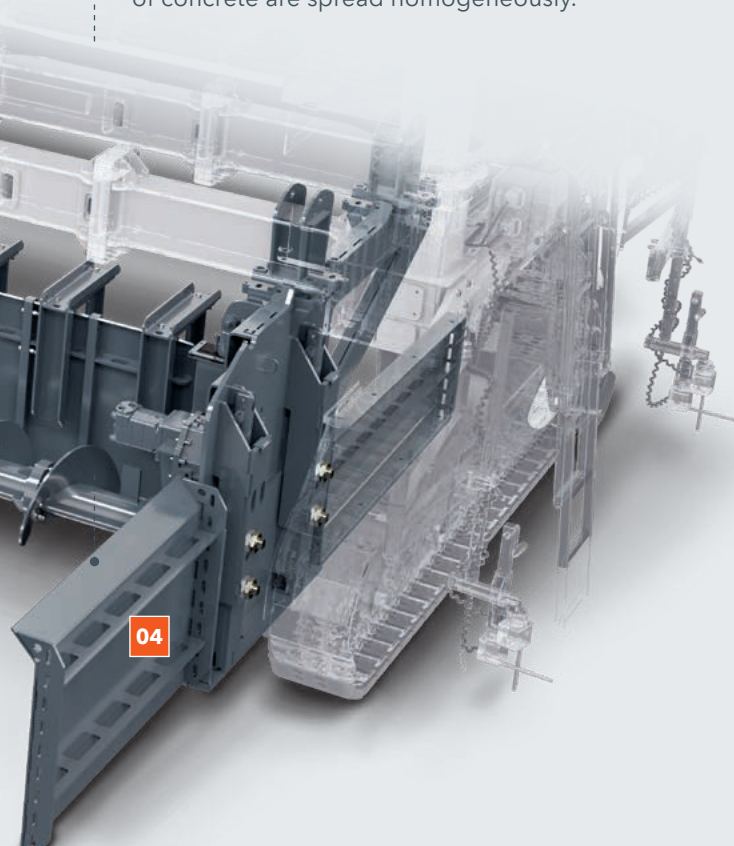
The divided, left, center, and right height-adjustable strike-off wall enables the realization of a wide range of different concrete surfaces with variable crown profiles.

03 Intelligent Cylinder Features

Intelligent, heavy-duty displacement sensors in the hydraulic cylinders directly process the measured values for easy operation and smart machine functions.

04 Height-Adjustable Side Plates

The height of the side plates can be adjusted by up to 20 in (500 mm) for reliable operation in any application.



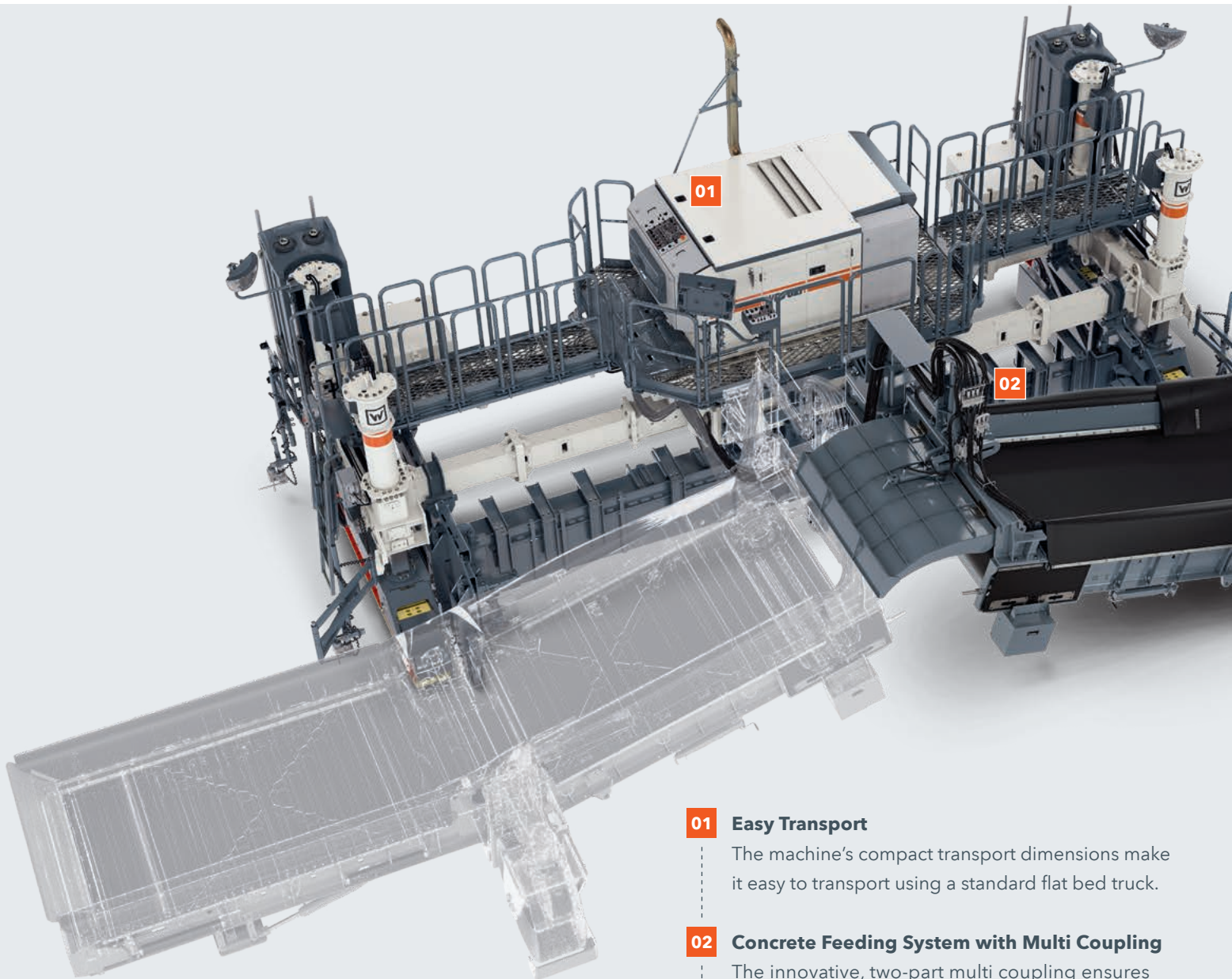
WIRTGEN > ANIMATIONS



NEED MORE INFORMATION?
 Watch our "Adaption of concrete unit /
 Modification working width" animation



SIMPLE CONVERSION AND TRANSPORT



01 Easy Transport

The machine's compact transport dimensions make it easy to transport using a standard flat bed truck.

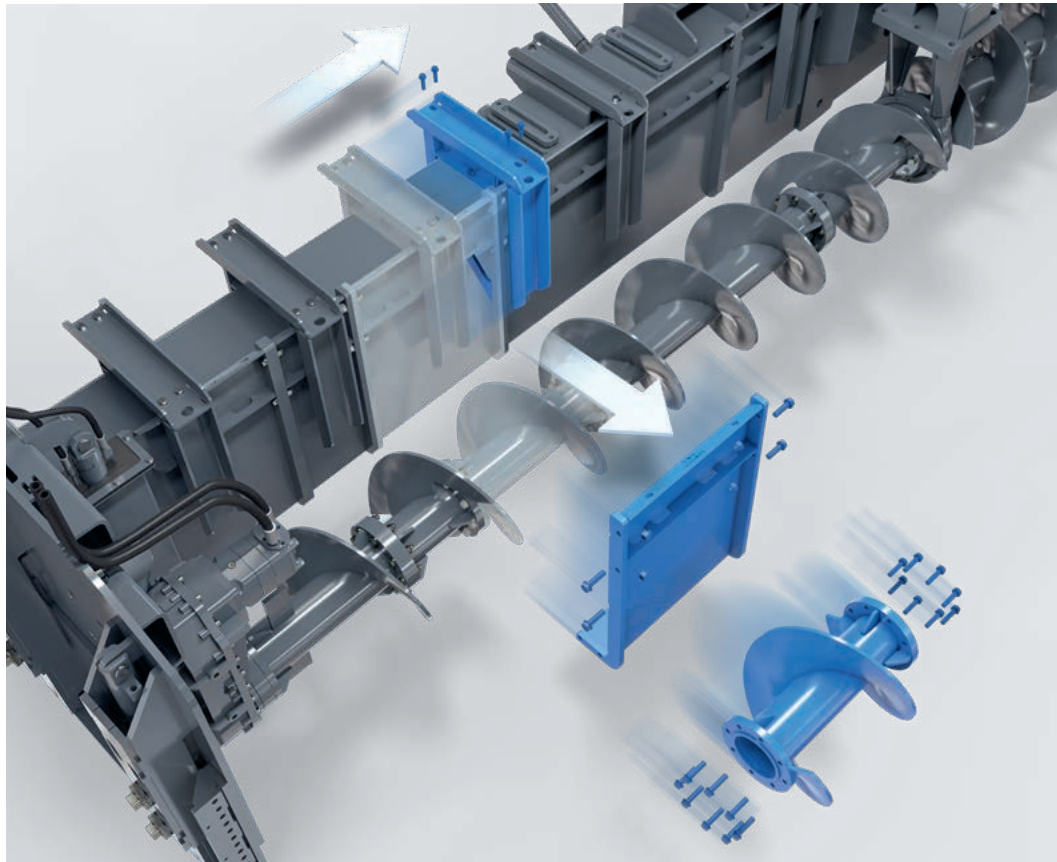
02 Concrete Feeding System with Multi Coupling

The innovative, two-part multi coupling ensures that the hydraulic connections can be quickly and easily connected for the reconfiguration, set-up and transportation of the concrete feeding system.



03 Operation from the Left or Right Side

Depending on site conditions, the concrete feeding system can easily be mounted on the right or left side of the machine.



The working width can be easily adjusted by removing individual segments.

Simple Width Changes of the Spreading Auger, Strike-off Wall and Chassis

Individual segments of the spreading auger, strike-off wall and chassis can be attached / removed in just a few simple steps. For this, an array of optional folding stays beneath the engine unit allow the machine to be easily and conveniently supported during width reconfiguration.

Loading Ramps

Optionally available loading ramps make it easier to load the machine onto the transport vehicle and speed up the

loading process. The height of the ramps can be easily adjusted, allowing them to be adapted to a variety of transport vehicles.

Width Changes without Lifting Devices

The placer / spreader's user-friendly design makes it possible to change the paving width without any special lifting equipment (like a crane). As a result, two people need less than an hour to change the paving width by one width increment.

WIRTGEN > ANIMATIONS

NEED MORE INFORMATION?
Watch our "Adaption of concrete unit / Modification working width" animation



The cost-effective two-track placer / spreader is designed for high-performance concrete feeding at widths of 12 ft to 24 ft (WPS 62i) or 12 ft to 40 ft (WPS 102i) and thicknesses of 20 in (500 mm). The machine concept with a hydraulically telescoping machine frame and concrete strike-off unit makes the machine highly adaptable to any job site situation. The powerful, fast folding feeder conveyor features an intelligent control concept and guarantees maximum concrete availability for the slipform paver following behind it.



TECHNICAL SPECIFICATIONS	WPS 62i	WPS 102i
Area of Application		
Road surfacing	Paving width: 12 ft to 24 ft ¹⁾ Paving height: up to 20 in (500 mm) ¹⁾	Paving width: 12 ft to 40 ft ¹⁾ Paving height: up to 20 in (500 mm) ¹⁾
Strike-off Unit		
Spreading auger	Two-piece, modularly extendable up to 24 ft	Two-piece, modularly extendable up to 40 ft
Strike-off wall	Modularly extendable up to 24 ft	Modularly extendable up to 40 ft
Intelligent height adjustment	8 in (200 mm)	
Crown	± 3%	
Concrete Feeding System		
Belt conveyor speed	0 to 9.8 ft/s (0 to 3 m/s)	
Conveyor belt width	5 ft 3 in (1,600 mm)	
Belt conveyor folding process	6 sec.	
Engine		
Engine manufacturer	Deutz	Cummins
Type	TCD 6.1 L6	L9 C-310
Cooling	Water	
Number of cylinders	6	
Rated power at 2,300 rpm	180 kW / 241 HP / 245 PS	231 kW / 310 HP / 314 PS
Displacement	370 in ³ (6,057 cm ³)	543 in ³ (8,900 cm ³)
Sound power level in accordance with EN 500-6, engine operator's platform	≤ 102 dB(A) ≥ 80 dB(A)	≤ 101 dB(A) ≥ 82 dB(A)
Emissions standards	US EPA Tier 4f	
Electrical System		
Power supply	24 V DC	

TECHNICAL SPECIFICATIONS	WPS 62i	WPS 102i
Tank Capacities		
Fuel	106 gal (400 l)	132 gal (500 l)
AdBlue® / DEF ²⁾	9 gal (32 l)	15 gal (57 l)
Hydraulic oil	53.8 gal (200 l)	66 gal (250 l)
Water	145 gal + 145 gal (550 l + 550 l)	
Driving Performance		
Advance speed while paving	0 to 33 ft/min (0 to 10 m/min)	0 to 16 ft/min (0 to 5 m/min)
Speed in driving gear	0 to 59 ft/min (0 to 18 m/min)	0 to 65 ft/min (0 to 20 m/min)
Crawler Units		
Number	2	
Dimensions (L x W x H)	Type B1: 11 ft 1 in x 12 in x 2 ft 2 in (3,390 x 300 x 660 mm)	Type B4: 11 ft 1 in x 20 in x 2 ft 5 in (3,380 x 500 x 748 mm)
Height Adjustment		
Hydraulic	3 ft 7 in (1,100 mm)	3 ft 3 in (1,000 mm)
Transport Dimensions (L x W x H)		
Minimum paving width (12 ft)	19 ft 6 in x 11 ft 6 in x 10 ft 8 in (5,950 x 3,500 x 3,250 mm)	20 ft x 11 ft 10 in x 10 ft 10 in (6,110 x 3,600 x 3,300 mm)
Maximum paving width (WPS 62i: 24 ft / WPS 102i: 40 ft)	31 ft x 11 ft 6 in x 10 ft 8 in (9,450 x 3,500 x 3,250 mm)	47 ft 3 in x 11 ft 10 in x 10 ft 10 in (14,440 x 3,600 x 3,300 mm)
Weight Specifications		
Operating weight CE ³⁾ (at minimum paving width)	76,390 lbs (34,650 kg)	92,065 lbs (41,760 kg)
Operating weight CE ³⁾ (at maximum paving width)	82,629 lbs (37,480 kg)	103,088 lbs (46,760 kg)
Transport Weight Machine		
> Machine at minimum paving width ⁴⁾	56,086 lbs (25,440 kg)	72,334 lbs (32,810 kg)
> Machine at maximum paving width ⁵⁾	62,303 lbs (28,260 kg)	81,681 lbs (37,050 kg)
Transport Weight Conveyor Belt		
> Belt trolley for conveyor belt	3,307 lbs (1,500 kg)	
> Powerful conveyor belt used to feed concrete from the side, length 22 ft (6,70 m) ⁶⁾	13,228 lbs (6,000 kg)	
> Powerful conveyor belt used to feed concrete from the side, 25 ft (7,60 m) ⁶⁾	–	14,330 lbs (6,500 kg)
> Powerful conveyor belt used to feed concrete from the side, 28 ft (8,50 m) ⁶⁾	–	15,432 lbs (7,000 kg)

¹⁾ Special paving widths, paving heights, and options available on request

²⁾ AdBlue® is a registered trademark of the German Association of the Automotive Industry (VDA)

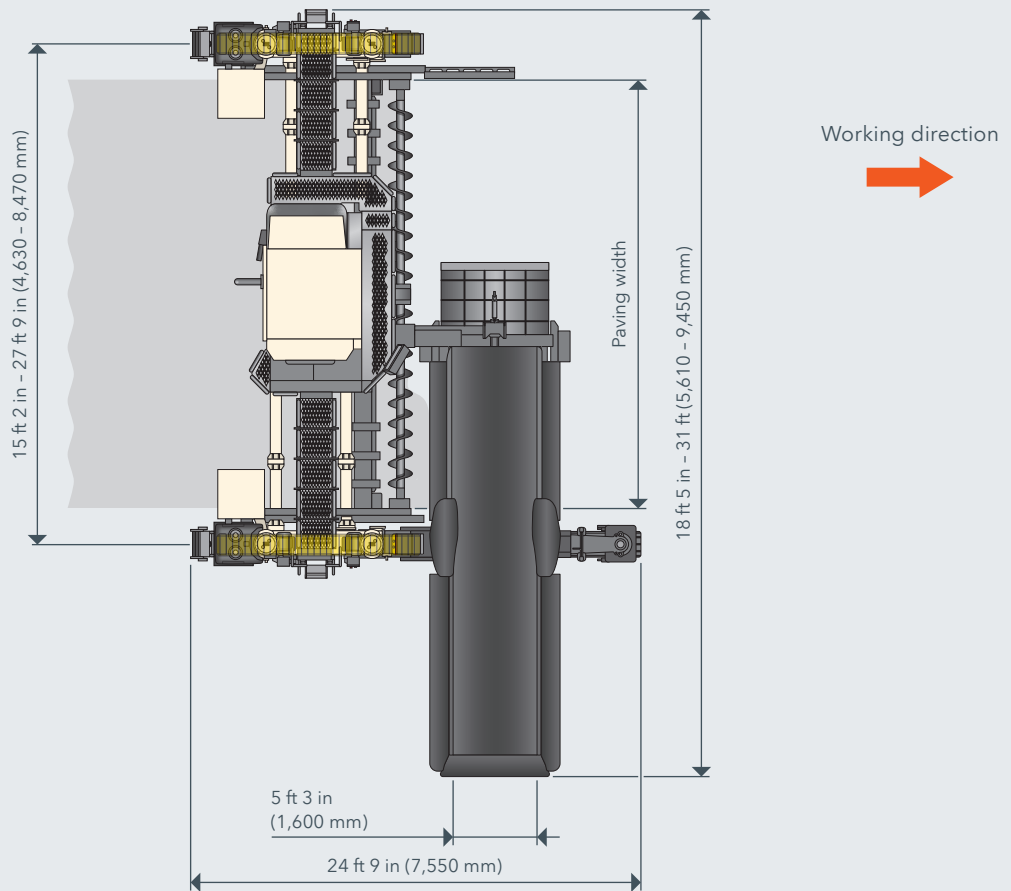
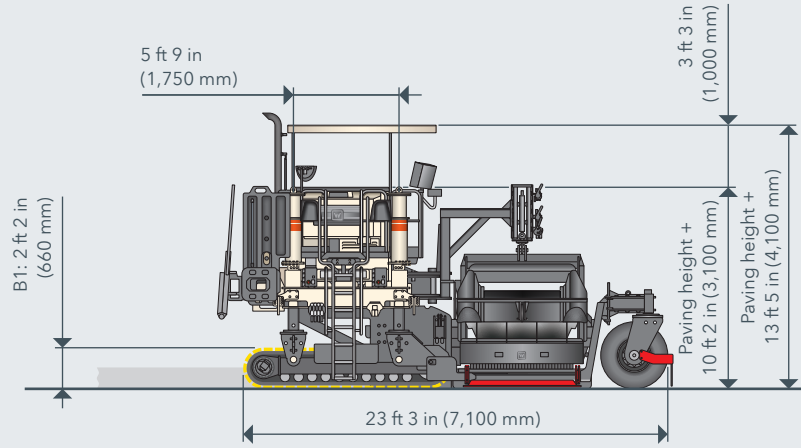
³⁾ Machine weight including machine tractor, concrete equipment, conveyor belt, half-full fuel tank, half-full water tank, full hydraulic oil tank, vehicle tool kits, machine operator (165 lbs (75 kg)), excluding optional equipment

⁴⁾ Machine weight including machine tractor, concrete equipment, vehicle tool kits, excluding conveyor belt

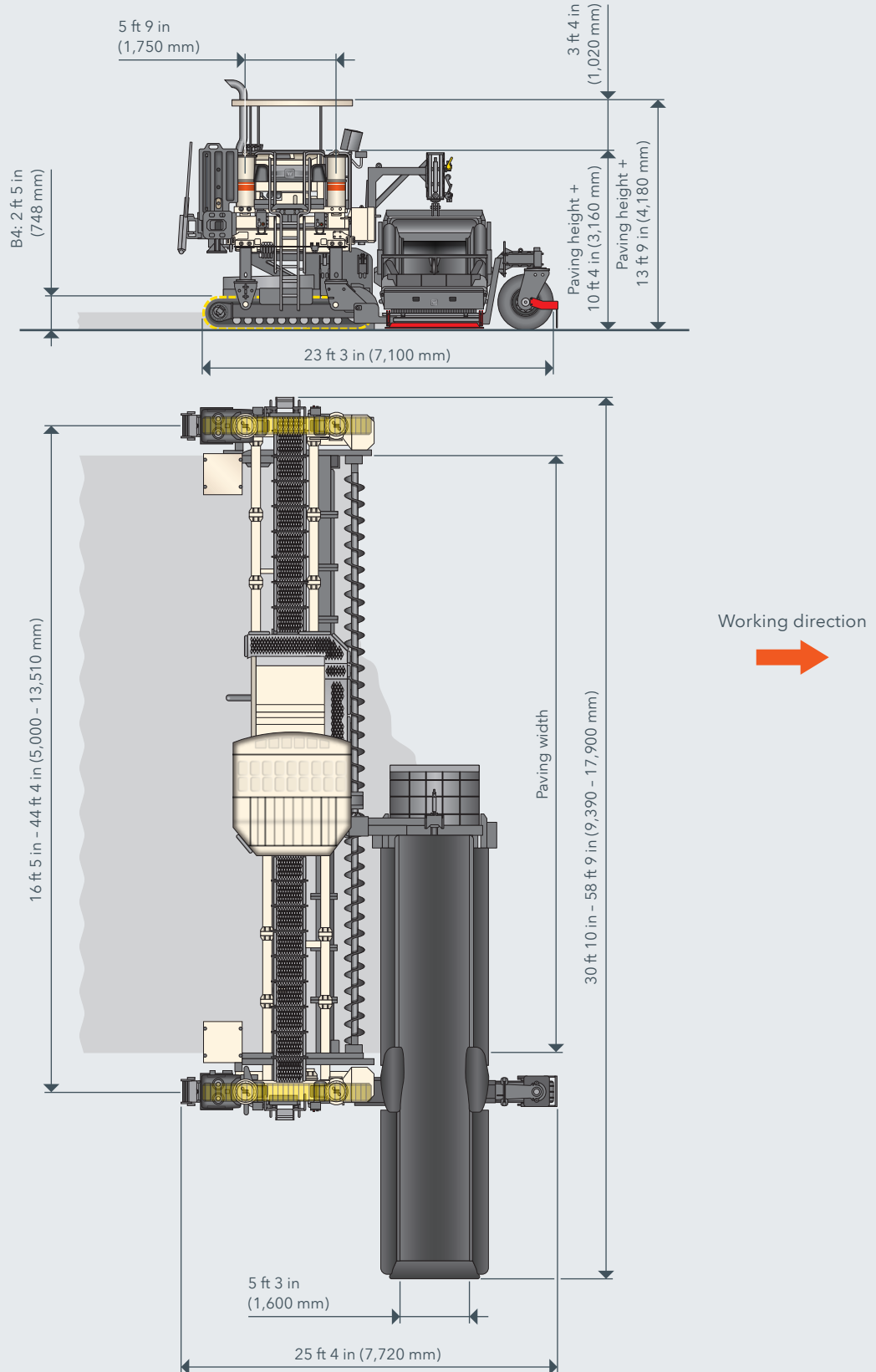
⁵⁾ Machine weight including machine tractor, concrete equipment, vehicle tool kits, half-full fuel tank, half-full hydraulic oil tank, empty water tank, excluding conveyor belt

⁶⁾ Length between pulley centers

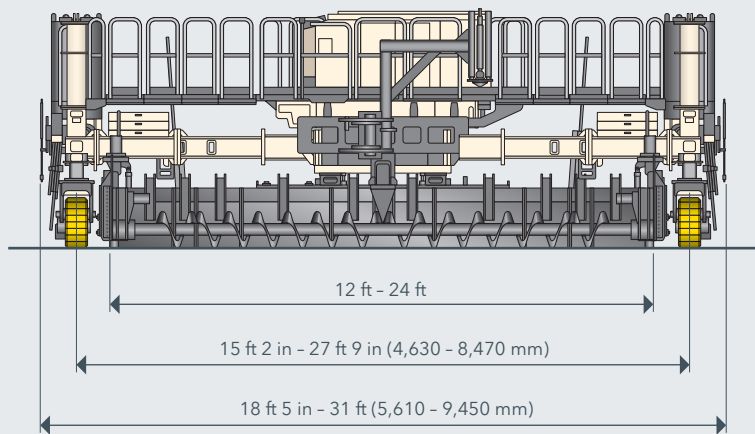
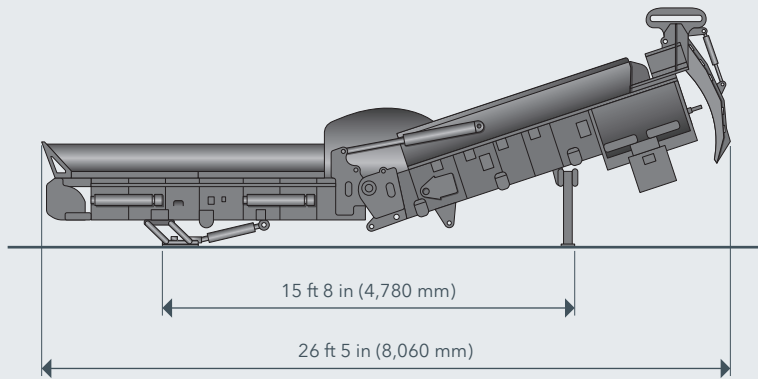
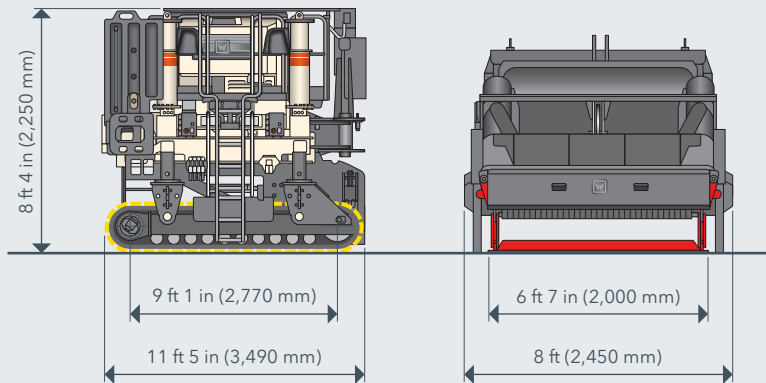
SIDE VIEW / TOP VIEW WPS 62i, PAVING SITUATION



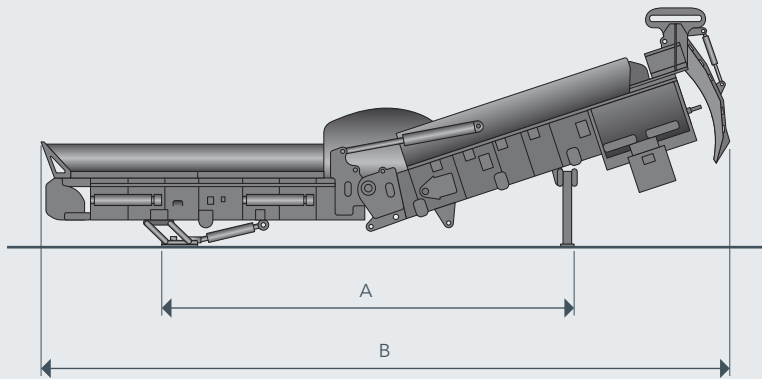
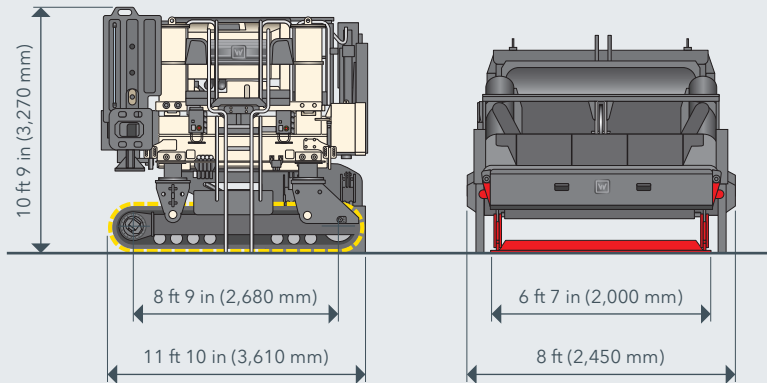
SIDE VIEW / TOP VIEW WPS 102 i, PAVING SITUATION



TRANSPORT SITUATION WPS 62i

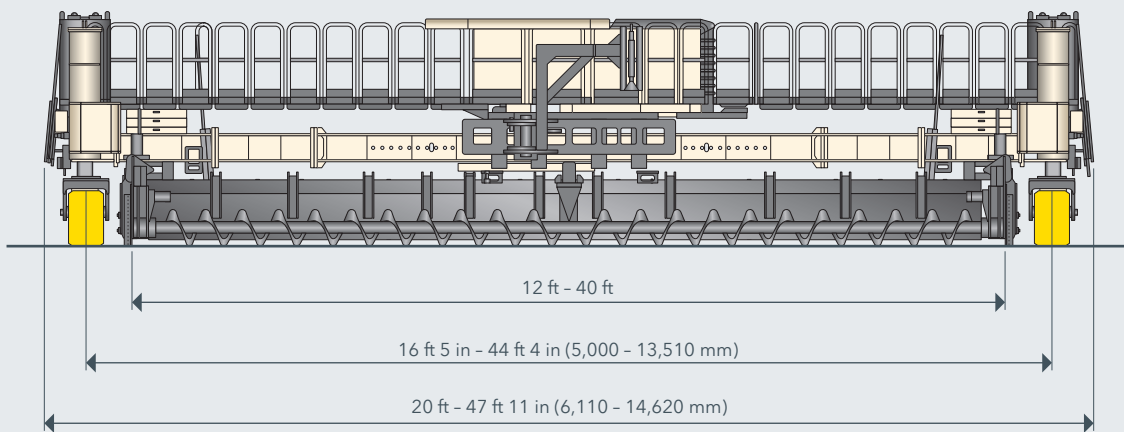


TRANSPORT SITUATION WPS 102 i



DIMENSIONS CONVEYOR BELT

Length Conveyor Belt	A	B
Standard equipment: 22 ft (6.70 m)	15 ft 8 in (4,780 mm)	26 ft 5 in (8,060 mm)
Optional equipment: 25 ft (7.60 m)	18 ft 10 in (5,750 mm)	29 ft 5 in (8,980 mm)
Optional equipment: 28 ft (8.50 m)	21 ft 10 in (6,660 mm)	32 ft 5 in (9,880 mm)



STANDARD EQUIPMENT	WPS 62i	WPS 102i
Basic Machine		
> Fuel tank 106 gal (500 l)	■	■
> Electrical system (24 V)	■	■
> Cooling system with temperature-controlled fan speed	■	■
> Hydraulic system including an generously dimensioned hydraulic oil tank and a pump transfer gearbox with two output shafts and the pumps required for the machine's basic equipment package	■	—
> Hydraulic system including an generously dimensioned hydraulic oil tank and a pump transfer gearbox with four output shafts and the pumps required for the machine's basic equipment package	—	■
Main Frame and Height Adjustment		
> Heavy-duty steel frame which can be telescoped mechanically to either side by 2 ft 6 in (0.75 m), enabling a total telescoping range of 4 ft 11 in (1.50 m); optional expansion using fixed extension pieces	■	—
> Heavy-duty steel frame which can be telescoped hydraulically to either side by 4 ft 8 in (1.42 m), enabling a total telescoping range of 9 ft 4 in (2.84 m); optional expansion using fixed extension pieces	—	■
> The machine frame is pre-fitted with multiple mounting points for the modular addition of a variety of equipment features	■	■
> A concrete equipment of 12 ft can be connected to the frame, optionally extendable to 24 ft	■	—
> A concrete equipment of 12 ft can be connected to the frame, optionally extendable to 40 ft	—	■
> Frame sections for continuous mechanical telescoping in increments to working widths of up to 14 ft 9 in (4.50 m), including extension elements	□	—
> Frame sections for continuous hydraulic telescoping in increments to working widths of up to 22 ft 4 in (6.80 m)	—	□
Concrete Spreading Equipment for Slab Paving		
> Concrete placing unit, consisting of a two-part spreading auger and a height-adjustable strike-off unit, basic width 12 ft	□	□
Crawler Units and Chassis Linkage		
> Paving speed of B1 track unit: 0 to 33 fpm (10 m/min)	■	—
> Paving speed of B4 track unit: 0 to 16 fpm (5 m/min)	—	■
> Transport speed of B1 track unit: 0 to 59 fpm (18 m/min)	■	—
> Transport speed of B4 track unit: 0 to 65 fpm (20 m/min)	—	■
> Model with two B1 track units (10 rollers), fitted with triple-grouser steel track pads, width 12 in (300 mm)	□	—
> Model with two B4 track units (8 rollers), fitted with triple-grouser steel track pads, width 20 in (500 mm)	—	□
Machine Control, Leveling and Steering		
> WI-CONTROL - high-quality control system ensuring perfect interaction between all machine features	■	■
> Error messages are displayed on the machine's control screen	■	■
> The existing CAN-bus system can be expanded to customer specifications	■	■
> ECO mode: performance-optimized engine management system for reduced diesel consumption and low noise emissions	■	■
> Proportional electrohydraulic leveling and steering by means of a PLC system including four leveling sensors and two steering sensors	■	■
> Sensor mounting brackets, adjustable in height and range	■	■
> An electronic slope sensor enables paving with a working width of 13 ft (4.00 m) with a stringline on only one side	■	■
> Four leveling hydraulic cylinders with 3 ft 6 in (1.10 m) stroke	■	■

STANDARD EQUIPMENT	WPS 62i	WPS 102i
Concrete Feeding System		
> Powerful conveyor belt used to feed concrete from the side, length 22 ft (6,70 m)	☐	☐
Operator's Platform		
> Ergonomically designed operator's platform providing a perfect view of the paving process	■	■
> Three control panels with clear, language-independent labeling for ergonomic operation	■	■
> Control panel 1 for machine setup according to site requirements	■	■
> Control panel 2 with multifunctional control screen providing the operator with all relevant machine parameters and allowing settings to be made via a menu; the control panel can be adjusted to all directions of travel and paving configurations	■	■
> Control panel 3 for controlling concrete feeding and spreading	■	■
> Two control panels can be stored in the engine compartment; the third control panel can be protected against vandalism and weather by means of a lockable cover	■	■
> Automatic recognition of each machine configuration provides easy orientation for the machine operator	■	■
Miscellaneous		
> Standard painting in RAL 9001 (cream)	☐	☐
> WITOS - professional telematics solution for machine operation and service optimization	☐	☐
> Lighting system including 4 halogen working lights, 24 V	☐	☐

- = Standard equipment
- ☐ = Standard equipment, can be replaced with optional equipment if desired
- = Optional equipment

OPTIONAL EQUIPMENT	WPS 62i	WPS 102i
Main Frame and Height Adjustment		
> Frame sections for continuous hydraulic telescoping to either side by 5 ft 9 in (1.75 m), enabling a total telescoping range of 11 ft 6 in (3.50 m) for working widths up to 20 ft 6 in (6.25 m)	<input type="checkbox"/>	—
> Frame sections for continuous hydraulic telescoping to either side by 5 ft 9 in (1.75 m), enabling a total telescoping range of 11 ft 6 in (3.50 m) for working widths up to 24 ft 7 in (7.50 m), including extension elements	<input type="checkbox"/>	—
> Frame sections for continuous hydraulic telescoping to either side by 4 ft 8 in (1.42 m), enabling a total telescoping range of 9 ft 4 in (2.84 m) for working widths up to 31 ft 2 in (9.50 m)	—	<input type="checkbox"/>
> Frame sections for continuous hydraulic telescoping to either side by 4 ft 8 in (1.42 m), enabling a total telescoping range of 9 ft 4 in (2.84 m) for working widths up to 40 ft 4 in (12.30 m)	—	<input type="checkbox"/>
> Extension of walkway allowing the operator to pass from one side of the machine to the other for working widths of up to 19 ft 7 in (6.00 m)	<input type="checkbox"/>	—
> Extension of walkway allowing the operator to pass from one side of the machine to the other for working widths of up to 24 ft 6 in (7.50 m)	<input type="checkbox"/>	—
> Extension of walkway allowing the operator to pass from one side of the machine to the other for working widths of up to 31 ft 2 in (9.50 m)	—	<input type="checkbox"/>
> Extension of walkway allowing the operator to pass from one side of the machine to the other for working widths of up to 40 ft 4 in (12.30 m)	—	<input type="checkbox"/>
Concrete Spreading Equipment for Slab Paving		
> Extension for concrete placing unit 1 ft on the left - spreading auger and strike-off wall	<input type="checkbox"/>	<input type="checkbox"/>
> Extension for concrete placing unit 1.5 ft on the left - spreading auger and strike-off wall	<input type="checkbox"/>	<input type="checkbox"/>
> Extension for concrete placing unit 2 ft on the left - spreading auger and strike-off wall	<input type="checkbox"/>	<input type="checkbox"/>
> Extension for concrete placing unit 4 ft on the left - spreading auger and strike-off wall	<input type="checkbox"/>	<input type="checkbox"/>
> Extension for concrete placing unit 6 ft on the left - spreading auger and strike-off wall	—	<input type="checkbox"/>
> Extension for concrete placing unit 1 ft on the right - spreading auger and strike-off wall	<input type="checkbox"/>	<input type="checkbox"/>
> Extension for concrete placing unit 1.5 ft on the right - spreading auger and strike-off wall	<input type="checkbox"/>	<input type="checkbox"/>
> Extension for concrete placing unit 2 ft on the right - spreading auger and strike-off wall	<input type="checkbox"/>	<input type="checkbox"/>
> Extension for concrete placing unit 4 ft on the right - spreading auger and strike-off wall	<input type="checkbox"/>	<input type="checkbox"/>
> Extension for concrete placing unit 6 ft on the right - spreading auger and strike-off wall	—	<input type="checkbox"/>
> Model without concrete spreading	<input type="checkbox"/>	<input type="checkbox"/>
Crawler Units and Chassis Linkage		
> Model with two B1 track units (10 rollers), fitted with polyurethane track pads, width 12 in (300 mm)	<input type="checkbox"/>	—
> Model with two B1 track units (10 rollers), fitted with steel track pads, width 18 in (450 mm)	<input type="checkbox"/>	—
> Model with two B1 track units (10 rollers), fitted with polyurethane track pads, width 18 in (450 mm)	<input type="checkbox"/>	—
> Model with two B4 track units (8 rollers), fitted with polyurethane track pads, width 20 in (500 mm)	—	<input type="checkbox"/>
Machine Control, Leveling and Steering		
> Cross-slope sensor	<input type="checkbox"/>	<input type="checkbox"/>
> Self-leveling feature for transport mode	<input type="checkbox"/>	<input type="checkbox"/>
> Two slab tracers	<input type="checkbox"/>	<input type="checkbox"/>
> Four slab tracers	<input type="checkbox"/>	<input type="checkbox"/>
> Control unit for manual track unit steering	<input type="checkbox"/>	<input type="checkbox"/>
> Pre-fitting for 3D leveling	<input type="checkbox"/>	<input type="checkbox"/>
> Additional slope sensors for 3D leveling	<input type="checkbox"/>	<input type="checkbox"/>
> AutoPilot 2.0 (902 - 928 MHz) with Field Rover	<input type="checkbox"/>	<input type="checkbox"/>
> Amplifier to extend the range of the AutoPilot signal, radio frequency: 902 - 928 MHz	<input type="checkbox"/>	<input type="checkbox"/>
> Laser transmitter for AutoPilot 2.0 including stand	<input type="checkbox"/>	<input type="checkbox"/>

OPTIONAL EQUIPMENT	WPS 62i	WPS 102i
Machine Control, Leveling and Steering		
> Laser receiver for AutoPilot 2.0	<input type="checkbox"/>	<input type="checkbox"/>
> Ultrasonic sensor for AutoPilot 2.0	<input type="checkbox"/>	<input type="checkbox"/>
> Additional tablet computer with case for AutoPilot 2.0	<input type="checkbox"/>	<input type="checkbox"/>
> Total station Leica iCON iCR80s for AutoPilot 2.0, 902 - 928MHz	<input type="checkbox"/>	<input type="checkbox"/>
Concrete Feeding System		
> Powerful conveyor belt used to feed concrete from the side, 25 ft (7,60 m)	—	<input type="checkbox"/>
> Powerful conveyor belt used to feed concrete from the side, 28 ft (8,50 m)	—	<input type="checkbox"/>
> Model without concrete feeding	<input type="checkbox"/>	<input type="checkbox"/>
Operator's Platform		
> Weather canopy for operator's platform with manual fold-down feature	<input type="checkbox"/>	—
> Weather canopy for operator's platform, hydraulically telescoping in height	—	<input type="checkbox"/>
> Weather canopy for operator's platform, hydraulically telescoping in height, with LED lighting	—	<input type="checkbox"/>
Miscellaneous		
> Painting in one special color (RAL)	<input type="checkbox"/>	<input type="checkbox"/>
> Painting in two special colors (RAL)	<input type="checkbox"/>	<input type="checkbox"/>
> Model without WITOS	<input type="checkbox"/>	<input type="checkbox"/>
> High-performance lighting system including 8 LED working lights, 24 V	<input type="checkbox"/>	<input type="checkbox"/>
> Hydraulic high-pressure water cleaning system with 145 gal (550 l) plastic tank	<input type="checkbox"/>	<input type="checkbox"/>
> Two hydraulic high-pressure water cleaning systems with two 145 gal (550 l) plastic tanks	<input type="checkbox"/>	<input type="checkbox"/>
> Additional plastic water tank, 145 gal (550 l)	<input type="checkbox"/>	<input type="checkbox"/>
> Additional electrical water pump, 24 V, with 32 ft 10 in (10.00 m) hose and spray gun with handle	<input type="checkbox"/>	<input type="checkbox"/>
> Rotating beacon, halogen 24 V, with magnetic base	<input type="checkbox"/>	<input type="checkbox"/>
> Two flashing beacons, 24 V, with magnetic base	<input type="checkbox"/>	<input type="checkbox"/>
> Ramps for loading machines with two crawler tracks units	<input type="checkbox"/>	<input type="checkbox"/>
> 2 integrated supports underneath the chassis to enable the width of the machine frame to be easily adjusted	<input type="checkbox"/>	<input type="checkbox"/>
> Radio remote control used to adjust the height of the strike-off wall	<input type="checkbox"/>	<input type="checkbox"/>
> Camera system consisting of 1 camera and 1 screen, expandable to up to 6 cameras.	<input type="checkbox"/>	<input type="checkbox"/>
> Additional camera as an extension to an existing camera system.	<input type="checkbox"/>	<input type="checkbox"/>
> Two LED floodlights including power generator (230 V)	<input type="checkbox"/>	<input type="checkbox"/>
> Two LED floodlights including power generator (110 V)	<input type="checkbox"/>	<input type="checkbox"/>
> Two LED floodlights (24 V)	<input type="checkbox"/>	<input type="checkbox"/>
> High-performance lighting system including 4 LED working lights, 24 V, for illuminating the compaction compartment	<input type="checkbox"/>	<input type="checkbox"/>
> 230 volt power generator, hydraulically driven, rated power of 4 kW	<input type="checkbox"/>	<input type="checkbox"/>
> 110 volt power generator, hydraulically driven, rated power of 4 kW	<input type="checkbox"/>	<input type="checkbox"/>
> Stringline tensioning system, complete with 3,280 ft (1,000 m) steel wire rope	<input type="checkbox"/>	<input type="checkbox"/>
> Additional tensioning winch for stringline tensioning system	<input type="checkbox"/>	<input type="checkbox"/>
> Stringline tensioning system, complete with 4 x 984 ft (4 x 300 m) nylon rope	<input type="checkbox"/>	<input type="checkbox"/>
> Export packaging	<input type="checkbox"/>	<input type="checkbox"/>

■ = Standard equipment

▣ = Standard equipment, can be replaced with optional equipment if desired

□ = Optional equipment

**WIRTGEN AMERICA Inc.**

6030 Dana Way
Antioch, TN 37013, USA

P: (615) 501-0600
F: (615) 501-0691

 www.wirtgen-group.com/america



For further information, please scan the code.