

Technical information

SUPER 1800-5(i)



Tracked paver SUPER 1800-5(i)

Universal Class

TECHNICAL HIGHLIGHTS

- > Maximum pave width 10 m
- > Maximum laydown rate 700 t/h
- > Transport width 2.55 m
- > Engine output: 129 kW at 2,000 rpm

SUPER 1800-5(i) - top of its class

The 1800 class from VÖGELE is legendary. No other paver in the world is as popular with road construction professionals. With its SUPER 1800-5(i) Tracked Paver, VÖGELE is already more than one step ahead: new operator ergonomics, more automated processes, quicker set-up times and lower noise and exhaust emissions. The compact dimensions and maximum pave width of 10 m of the SUPER 1800-5(i) make it suitable for universal deployment - as good for building motorways as it is for inner-city roundabouts.



TECHNICAL DATA	SUPER 1800-5i	SUPER 1800-5
Power unit		
	for EU/EFTA countries / USA / Canada / Japan / South Korea / Turkey	for all other countries
Engine	liquid-cooled 4-cylinder diesel engine	
> Version	Cummins	
> Manufacturer	Cummins	
> Type	B4.5	QSB4.5
Output		
> Nominal	129 kW at 2,000 rpm	129 kW at 2,000 rpm
> ECO mode	127 kW at 1,700 rpm	128 kW at 1,700 rpm
Emissions information		
> Exhaust emissions standards	European exhaust emissions standard EU Stage 5 US standard EPA Tier 4f	equivalent to EU stage 3a, US EPA Tier 3
> Exhaust gas after-treatment	DOC, DPF, SCR	
> Guaranteed sound power level	$L_{WA} \leq 108$ dB(A) (2000/14/EG, EN ISO 3744; EN 500-6)	
> Sound pressure level at the operator's stations	$L_{PA} < 85$ dB(A) (EN ISO 11201; EN 500-6)	
Fuel tank	300 litres	
Undercarriage		
Crawler tracks		
> Version	with rubber pads	
> Ground contact	2,830 x 300 mm	
> Track tension adjuster	spring assembly	
> Lubrication of track rollers	lifetime	
Traction drive	electronically controlled separate hydraulic drive provided for each crawler track	
Speeds		
> Paving	up to 25 m/min., infinitely variable	
> Travel	up to 4.5 km/h, infinitely variable	
Material hopper		
Hopper capacity	13 t	
Width	3,290 mm	
Feed height	578 mm (centre of material hopper)	
Push-rollers		
> Standard	oscillating	
Position	can be displaced forwards by 100 mm	
> Option	sprung and oscillating (PaveDock), displaceable longitudinally by 100 mm	

Conveyors and augers

Conveyors

> Version	2, with replaceable feeder bars, direction of conveyor temporarily reversible
> Drive	separate hydraulic drive provided for each conveyor
> Speed	up to 34 m/min., infinitely variable (manual or automatic)

Augers

> Version	2, with replaceable auger blades and reversible direction of rotation
> Diameter	320 mm
> Drive	separate hydraulic drive provided for each auger
> Speed	up to 80 rpm, infinitely variable (manual or automatic)
> Height	infinitely variable by 15 cm, hydraulic, lowest position 10 cm above the ground

Lubrication automatic centralized lubrication system with electrically driven grease pump

Screed options	AB 500	AB 600	SB 300	SB 300 HD
----------------	--------	--------	--------	-----------

Basic width	2.55 m to 5 m	3 m to 6 m	3 m	3 m
--------------------	---------------	------------	-----	-----

Maximum width (TV)	8.75 m	9.25 m	10 m	8 m
---------------------------	--------	--------	------	-----

Compacting systems	TV, TP1, TP2, TP2 Plus	TV, TP1, TP2, TP2 Plus	TV, TP1, TP2	TV
---------------------------	------------------------	------------------------	--------------	----

Layer thickness	up to 30 cm			
------------------------	-------------	--	--	--

Screed heating

> Version	electric by heating rods*
> Power supply	three-phase AC generator

Dimensions (transport) and weights

Length

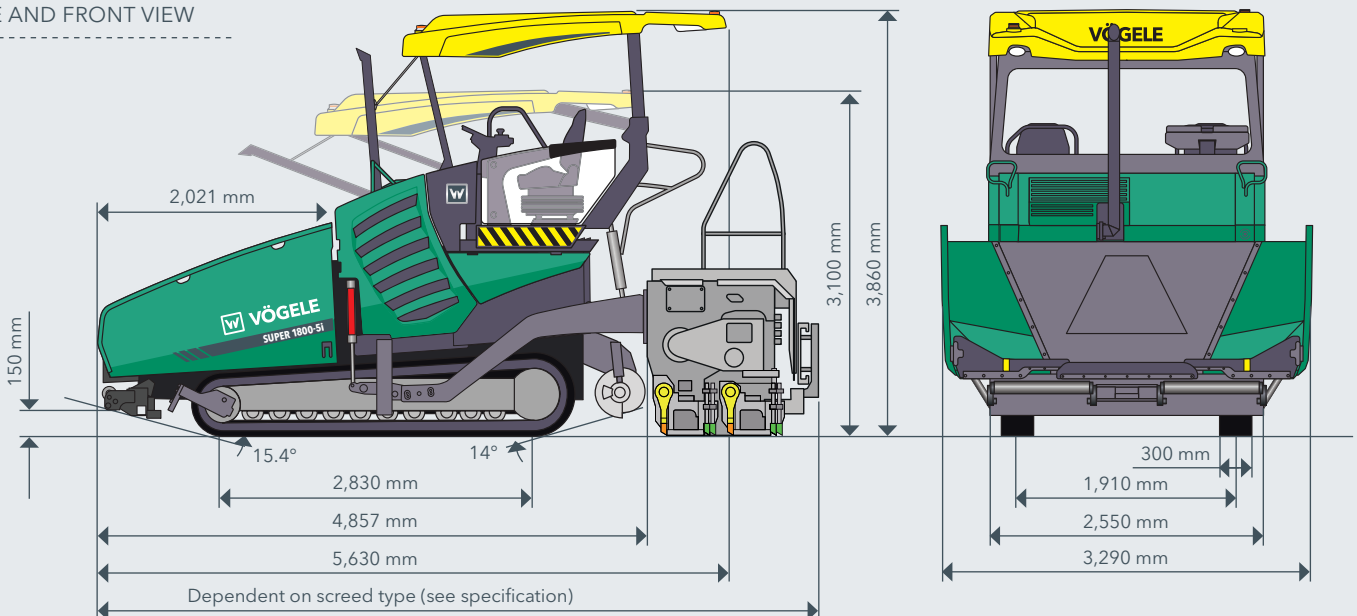
> Version	tractor unit and screed
> AB 500/600	TV: 6.15 m / TP1, TP2, TP2 Plus: 6.28 m
> SB 300	TV, TP1, TP2: 6.17 m
> SB 300 HD	TV: 6.2 m

Weights

> Version	tractor unit and screed
> AB 500 TV	pave widths up to 5 m: 20,000 kg / pave widths up to 8.75 m: 25,300 kg

Key: DOC = Diesel Oxidation Catalyst, DPF = Diesel Particulate Filter, SCR = Selective Catalytic Reduction, AB = Extending Screed, SB = Fixed-Width Screed, HD = Heavy-Duty, TV = with tamper and vibrators, TP1 = with tamper and 1 pressure bar, TP2 = with tamper and 2 pressure bars, TP2 Plus = with special tamper, 2 pressure bars and additional weights, * not for SB 300 HD

SIDE AND FRONT VIEW



THE HIGHLIGHTS OF THE SUPER 1800-5(i)

- > Tracked paver of the latest generation with a large range of applications and pave widths up to 10 m
- > Powerful and economical drive concept, even when operating at full load in any climate zone
- > The VÖGELE EcoPlus low-emissions package significantly reduces fuel consumption and noise emissions
- > ErgoPlus 5 - the next step in the evolution of this proven operating concept from VÖGELE
- > Equipped for the future with ErgoPlus 5 Premium Touch
- > Optimum material feed thanks to the large material hopper, the PaveDock sprung push-rollers, and the PaveDock Assistant communication system
- > Greater safety and reduced set-up time at night-working job sites thanks to Light Package and Light Package Plus
- > Paver Access Control (PAC) makes the paver ready for operation and transport more quickly
- > Niveltronic Plus Assist automated grade and slope control for automated roof profile and transverse profile paving
- > New generation screeds with Dual Shift Tamper for rapid tamper-stroke adjustment

FEATURES	SUPER 1800-5i	SUPER 1800-5
> Powerful oil-cooled generator	■	■
> VÖGELE EcoPlus low-emissions package	■	□
> ErgoPlus 5 paver operator's platform with fixed roof	■	■
> Paver operator's console Premium	□	□
> Windscreen with windscreen wipers	□	□
> Convenience package with Paver Access Control (PAC)	□	□
> AutoSet Plus for simple repositioning and saving of paving programs	□	□
> Light Package and Light Package Plus	□	□
> PaveDock Assistant communication system	□	□
> PaveDock sprung push-rollers	□	□
> Large receiving hopper holding 13 tonnes	■	■
> Hydraulic hopper front	□	□
> Sonic sensor to control augers	■	■
> Auger tunnel illumination	■	■
> Niveltronic Plus and Niveltronic Plus Assist for automated grade and slope	□	□
> Ventilation system	□	□
> VÖGELE RoadScan comprehensive asphalt temperature measuring system	□	□
> Hydraulic tamper stroke adjustment at the touch of a button	□	□
> WITOS Paving Plus process management solution	□	□
> John Deere Operations Center	■	■

This list is just an extract of the scope of supply.
Standard features and options may differ by sales region.

■ Standard feature □ Option

JOSEPH VÖGELE AG

Joseph-Vögele-Str. 1
67075 Ludwigshafen
Germany

T: +49 621 8105-0
F: +49 621 8105-461
M: marketing@voegele.info

www.voegele.info

