

Technical information

SUPER 1880-3 Li



Tracked paver SUPER 1880-3 Li

Universal Class

TECHNICAL HIGHLIGHTS

- > Maximum pave width 10 m
- > Maximum laydown rate 1,000 t/h
- > Transport width 3 m
- > Engine output: 162 kW at 2,000 rpm

SUPER 1880-3 Li - the high-grade asphalt specialist

The powerful 10 m class paver from VÖGELE is legendary. Although the drive system of the high-grade SUPER 1880-3 Li has been completely revised, the machine still follows on seamlessly from its predecessors, offering the same proven features. To meet ecological and economic challenges in the future too, this Universal Class machine was optimized with a strong focus on slashing fuel consumption with impressive performance.

In addition, the VÖGELE EcoPlus package greatly reduces noise levels.



TECHNICAL DATA	SUPER 1880-3 Li
Power unit	
Engine	
> Version	liquid-cooled 6-cylinder diesel engine
> Manufacturer	Dongfeng-Cummins
> Type	B6.7 CS4 220C
Output	
> Nominal	162 kW at 2,000 rpm
Emissions information	
> Exhaust emissions standards	NR4
Fuel tank	350 litres
Undercarriage	
Crawler tracks	
> Version	provided with rubber pads
> Ground contact	3,060 x 300 mm
> Track tension adjuster	spring assembly
> Lubrication of track rollers	lifetime
Traction drive	separate hydraulic drive and electronic control provided for each crawler track
Speeds	
> Paving	up to 24 m/min., infinitely variable
> Transport	up to 4.5 km/h, infinitely variable
Material hopper	
Hopper capacity	15 t
Width	3,261 mm
Feed height	508 mm (bottom of material hopper)
Push-rollers	
> Standard	oscillating
Position	oscillating, can be displaced forwards by 75 mm or 150 mm
Conveyors and augers	
Conveyors	
> Version	2, with replaceable feeder bars, conveyor movement reversible for a short time
> Drive	separate hydraulic drive provided for each conveyor
> Speed	up to 37 m/min., infinitely variable (manual or automatic)

Conveyors and augers

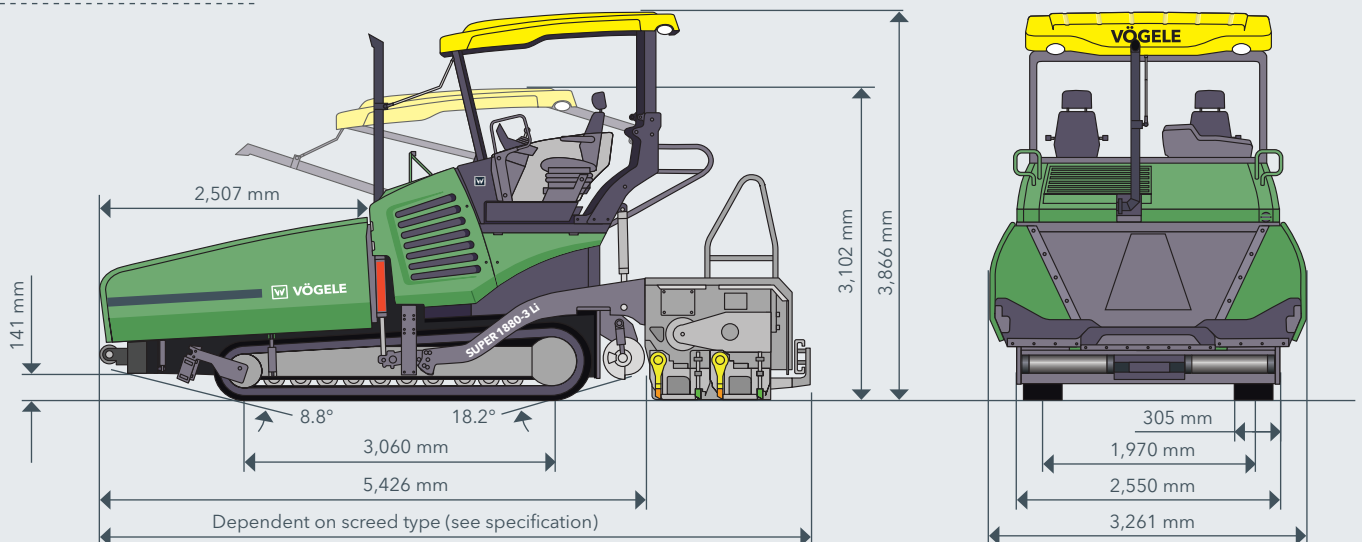
Augers			
> Version	2, with exchangeable auger blades, auger rotation reversible		
> Diameter	420 mm		
> Drive	separate hydraulic drive provided for each auger		
> Speed	up to 95 rpm, infinitely variable (manual or automatic)		
> Height	infinitely variable by 15 cm, hydraulic		
Lubrication	centralized lubrication system with electrically driven grease pump for conveyor and auger bearings		
Screed options	AB 600	SB 300	SB 300 HD
Basic width	3 m to 6 m	3 m	3 m
Maximum width	10 m (TV)	9.5 m (TV)	9.5 m
Compacting systems	TV, TP1	TV, TP1	T
Layer thickness	up to 50 cm (SB 300)		
Screed heating			
> Version	electric by heating rods		
> Power supply	three-phase AC generator		

Dimensions (transport) and weights

Length	
> Version	tractor unit and screed
> AB 600	TV: 6.71 m / TP1: 6.71 m
> SB 300	TV/TP1/T (SB 300 HDT): 6.77 m
Weights	
> Version	tractor unit and screed
> AB 600 TV	pave widths up to 6 m: 20,960 kg / pave widths up to 10 m: 26,360 kg

Key: AB = Extending Screed, SB = Fixed-Width Screed, HD = Heavy-Duty, T = with tamper, TV = with tamper and vibrators, TP1 = with tamper and 1 pressure bar

SIDE AND FRONT VIEW



THE HIGHLIGHTS OF THE SUPER 1880-3 Li

- > Tracked Universal Class paver with a large range of applications and pave widths up to 10 m
- > Modern drive concept with efficient performance and low consumption
- > Simple and ergonomic ErgoPlus 3 operating concept
- > Niveltronic Plus System for Automated Grade and Slope Control
- > Especially large oscillating push-rollers ensure convenient and shock-free docking of feed vehicles even on bends
- > Can be combined with the Extending Screed AB 600, as well as the SB 300 and SB 300 HD Fixed-Width Screeds

FEATURES

- | | |
|---|---|
| > Electronic engine management with ECO mode | ■ |
| > Simple, ergonomic ErgoPlus 3 operating concept | ■ |
| > Hardtop made of glass fibre-reinforced polymer material with wide sunshades | ■ |
| > Operator's seat, classic, 2 pieces | ■ |
| > 4 working lights, LED | ■ |
| > GPS system | ■ |
| > Sensor for auger control, sonic | ■ |
| > Limiting plates for auger tunnel, hinged | □ |
| > Automated Grade and Slope Control Niveltronic Plus | □ |
| > Various sensor types are available for the Niveltronic Plus | □ |
| > Hand press for lubrication | □ |
| > Washdown system with hose reel | ■ |

This list is just an extract of the scope of supply.

■ Standard feature □ Option

JOSEPH VÖGELE AG

Joseph-Vögele-Str. 1
67075 Ludwigshafen
Germany

T: +49 621 8105-0
F: +49 621 8105-461
M: marketing@voegele.info

➤ www.voegele.info

