

Technical information

# **SUPER 3000-3(i)**



**Tracked paver SUPER 3000-3(i)**  
Highway Class

## **TECHNICAL HIGHLIGHTS**

- > Maximum pave width 18 m
- > Maximum laydown rate 1,800 t/h
- > Transport width 3 m
- > Engine output: 354 kW at 1,800 rpm

**SUPER 3000-3(i) – the flexibility world champion from VÖGELE**

The largest paver in VÖGELE’s range is a real powerhouse and a flexible all-rounder, to boot: boasting a pave width of up to 18 m, it is ideal for large-scale projects such as motorways and runways, but is equally at home constructing thick anti-freeze layers and crushed-stone bases.

The screed concept of the SUPER 3000-3(i) is likewise geared to maximum flexibility, enabling the machines to tackle a broad range of different applications efficiently and productively.



TECHNICAL DATA	SUPER 3000-3i	SUPER 3000-3
<b>Power unit</b>		
	for EU/EFTA countries/USA/Canada/Japan	for all other countries
<b>Engine</b>	liquid-cooled 6-cylinder diesel engine	
> Version	Cummins	
> Manufacturer	Cummins	
> Type	X12-C475	QSG12-C475
<b>Output</b>		
> Nominal	354 kW at 1,800 U/min	
> ECO mode	350 kW at 1,600 U/min	
<b>Emissions information</b>		
> Exhaust emissions standards	EU Stage V, US EPA Tier 4f	EU Stage 3a, US EPA Tier 2
> Exhaust gas after-treatment	DOC, DPF, SCR	
> Guaranteed sound power level	L <sub>WA</sub> = 113 dB(A) (2000/14/EG, EN ISO 3744; EN 500-6)	
> Sound pressure level at the operator’s stations	L <sub>PA</sub> ≤ 85 dB(A) (EN ISO 11201; EN 500-6)	
<b>Fuel tank</b>	605 litres	
<b>Undercarriage</b>		
<b>Crawler tracks</b>		
> Version	with rubber pads	
> Ground contact	3,658 x 400 mm	
> Track tension adjuster	elastomer tensioner	
> Lubrication of track rollers	lifetime	
<b>Traction drive</b>	electronically controlled separate hydraulic drive provided for each crawler track	
<b>Speeds</b>		
> Paving	up to 24 m/min., infinitely variable	
> Travel	up to 4 km/h, infinitely variable	
<b>Material hopper</b>		
<b>Hopper capacity</b>	18.5 t	
<b>Width</b>	3,850 mm	
<b>Feed height</b>	560 mm (bottom of receiving hopper)	
<b>Push-rollers</b>		
> Standard	oscillating	
Position	can be displaced forwards by 80 mm or 160 mm	
> Option	sprung (PaveDock)	

**Conveyors and augers**

**Conveyors**

> Version	2, with replaceable feeder bars, direction of conveyor temporarily reversible
> Drive	separate hydraulic drive provided for each conveyor
> Speed	up to 50 m/min., infinitely variable (manual or automatic)

**Augers**

> Version	2, with replaceable auger blades and reversible direction of rotation
> Diameter	340/420/480 mm (varies according to pave width)
> Drive	separate hydraulic drive provided for each auger
> Speed	up to 120 rpm, infinitely variable (manual or automatic)
> Height	infinitely variable hydraulically up to 27.5 cm

**Lubrication** centralized lubrication system with electrically driven grease pump

Screed options	AB 600	SB 300	SB 300 HD	SB 350
Basic width	3 m to 6 m	3 m	3 m	3.5 m
Maximum width	9.5 m (TV/TP1)	16 m (TV)	12 m (TV)	18 m (TV)
Compacting systems	TV, TP1, TP2, TP2 Plus	TV, TP1, TP2	TV	TV, TP1, TP2
Layer thickness	up to 50 cm			
<b>Screed heating</b>				
> Version	electric by heating rods*			
> Power supply	three-phase AC generator			

**Dimensions (transport) and weights**

**Length**

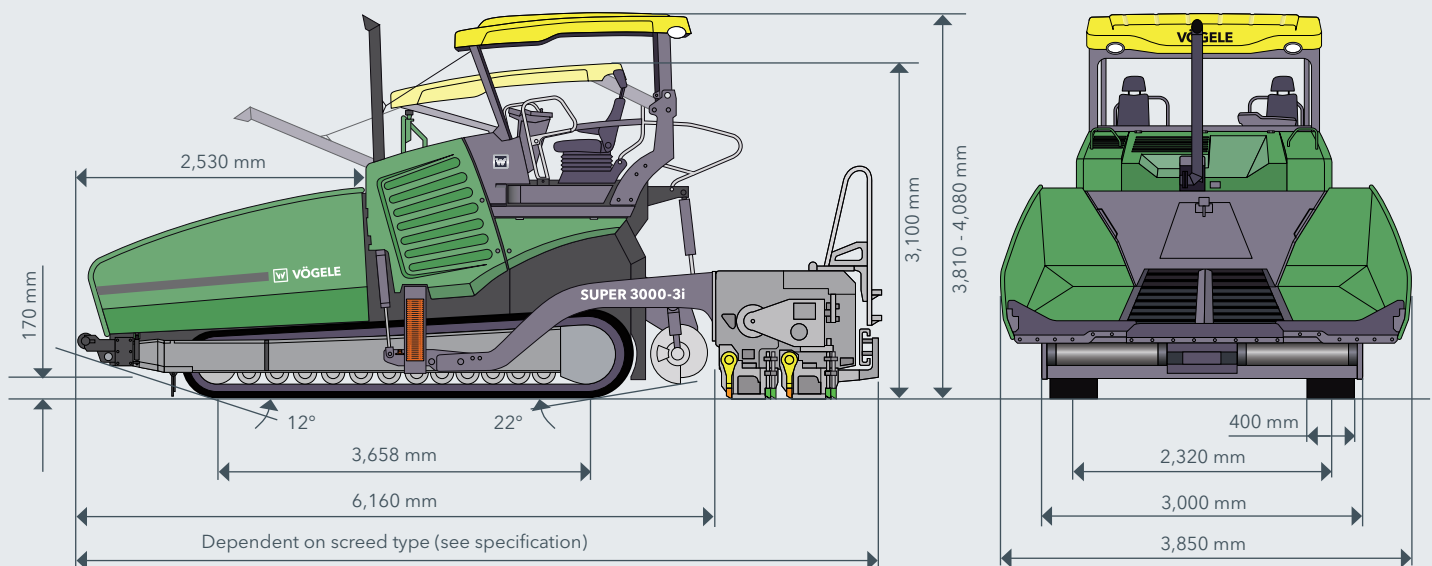
> Version	tractor unit and screed
> AB 600	TV: 7.44 m / TP1, TP2: 7.7 m
> SB 300/350	TV/TP1/TP2: 7.48 m
> SB 300 HD	TV: 7.48 m

**Weights**

> Version	tractor unit and screed
> AB 600 TV	pave widths up to 6 m: 31,800 kg / pave widths up to 9.5 m: 37,450 kg

Key: DOC = Diesel Oxidation Catalyst, DPF = Diesel Particulate Filter, SCR = Selective Catalytic Reduction, AB = Extending Screed, SB = Fixed-Width Screed, HD = Heavy-Duty, TV = with tamper and vibrators, TP1 = with tamper and 1 pressure bar, TP2 = with tamper and 2 pressure bars, TP2 Plus = with special tamper, 2 pressure bars and additional weights, \* not for SB 300 HD

SIDE AND FRONT VIEW



### THE HIGHLIGHTS OF THE SUPER 3000-3(i)

- > Tracked Highway Class paver with a large range of applications and pave widths up to 18 m
- > Many "Dash 3" features such as ErgoPlus 3, VÖGELE EcoPlus and AutoSet Plus are included as standard
- > Innovative material handling system ensures optimum transfer of the mix, even at layer thicknesses of up to 50 cm
- > Heavy-duty kit effectively counteracts abrasive wear
- > Optimum feeding with mix thanks to the large material hopper, PaveDock sprung push-rollers and PaveDock Assistant communication system
- > Optimum mix transfer to the auger at all layer thicknesses thanks to height-adjustable chassis
- > ErgoPlus 3 operating system with numerous convenient and automatic functions
- > All screeds for asphalt paving can be combined with high compaction technology
- > Easy and convenient tamper stroke adjustment (4 or 8 mm) at the push of a button on the SB 300 and SB 350
- > Maximum flexibility thanks to bolt-on extensions which can be adjusted by 1.25 m on each side for the SB 300 and SB 350 Fixed-Width Screeds

FEATURES	SUPER 3000-3i	SUPER 3000-3
> Powerful oil-cooled generator	■	■
> VÖGELE EcoPlus low-emissions package	■	■
> Simple, ergonomic ErgoPlus 3 operating concept	■	■
> Windscreen with windscreen wipers	□	□
> Ergonomic heated driver's seats	□	□
> Ventilation system	□	□
> LED light balloon for use at night	□	□
> AutoSet Plus for simple repositioning and saving of paving programs	■	■
> Niveltronic Plus System for Automated Grade and Slope Control	□	□
> PaveDock sprung push-rollers	□	□
> PaveDock Assistant communication system	□	□
> Large receiving hopper holding 18.5 tonnes	■	■
> Heavy-duty kit	■	■
> Hydraulic hopper front	□	□
> Sonic sensor to control augers	□	□
> Various sensors for levelling	□	□
> VÖGELE RoadScan comprehensive asphalt temperature measuring system	□	□
> WITOS Paving Docu records paver and paving data	□	□
> WITOS Paving Plus process management solution	□	□
> WITOS FleetView telematics system	■	■

This list is just an extract of the scope of supply.  
Standard features and options may differ by sales region.

■ Standard feature    □ Option

#### JOSEPH VÖGELE AG

Joseph-Vögele-Str. 1  
67075 Ludwigshafen  
Germany

T: +49 621 8105-0  
F: +49 621 8105-461  
M: marketing@voegele.info

[www.voegele.info](http://www.voegele.info)

