

Technical information

SUPER 1603-3(i)



Wheeled paver SUPER 1603-3(i)

Universal Class

TECHNICAL HIGHLIGHTS

- > Maximum pave width 7 m
- > Maximum laydown rate 600 t/h
- > Transport width 2.55 m
- > Engine output: 115/116 kW at 2,000 rpm

SUPER 1603-3(i) - the compact wheeled paver

The SUPER 1603-3(i) is an all-rounder, and as a wheeled paver, has no trouble getting around. With its compact dimensions and Pivot Steer brake, the wheeled paver features excellent manoeuvrability, making it suitable for a wide variety of applications.

VÖGELE's ErgoPlus 3 operating concept makes paver operation easier and safer than ever before. The integrated Niveltronic Plus System for Automated Grade and Slope Control is easy to operate, accurate and reliable.



TECHNICAL DATA	SUPER 1603-3i	SUPER 1603-3
Power unit		
	for EU/EFTA countries/USA/Canada/Japan	for all other countries
Engine	liquid-cooled 6-cylinder diesel engine	
> Version	Cummins	
> Manufacturer	Cummins	
> Type	B4.5-C154	QSB4.5-C155
Output		
> Nominal	115 kW at 2,000 rpm	116 kW at 2,000 rpm
> ECO mode	109 kW at 1,700 rpm	106 kW at 1,700 rpm
Emissions information		
> Exhaust emissions standards	EU Stage V, US EPA Tier 4f	EU Stage 3a, US EPA Tier 3
> Exhaust gas after-treatment	DOC, DPF, SCR	
> Guaranteed sound power level	L _{WA} = 107 dB(A) (2000/14/EG, EN ISO 3744; EN 500-6)	
> Sound pressure level at the operator's stations	L _{PA} ≤ 85 dB(A) (EN ISO 11201; EN 500-6)	
Fuel tank	215 litres	
Undercarriage		
Front wheels	4, mounted on bogies (oscillating axle)	
> Tyre equipment	elastic solid rubber tyres	
> Tyre size	540/300 - 390 mm	
Rear wheels	2, pneumatic tyres, tubeless	
> Tyre size	14.00 R 25	
Drive		
> Version	separate hydraulic drive provided for each wheel	
> Standard	2 rear wheels (6x2)	
> Option	2 rear wheels and 2 front wheels (6x4), 2 rear wheels and 4 front wheels (6x6)	
Speeds		
> Paving	up to 18 m/min., infinitely variable	
> Travel	up to 20 km/h, infinitely variable	
Outside turning circle		
> Version	minimum 3.5 m (with Pivot Steer)	
Material hopper		
Hopper capacity	13 t	
Width	3,265 mm	
Feed height	590 mm (centre of material hopper)	
Push-rollers		
> Standard	oscillating	
> Position	can be displaced forwards by 75 mm or 150 mm	

Conveyors and augers

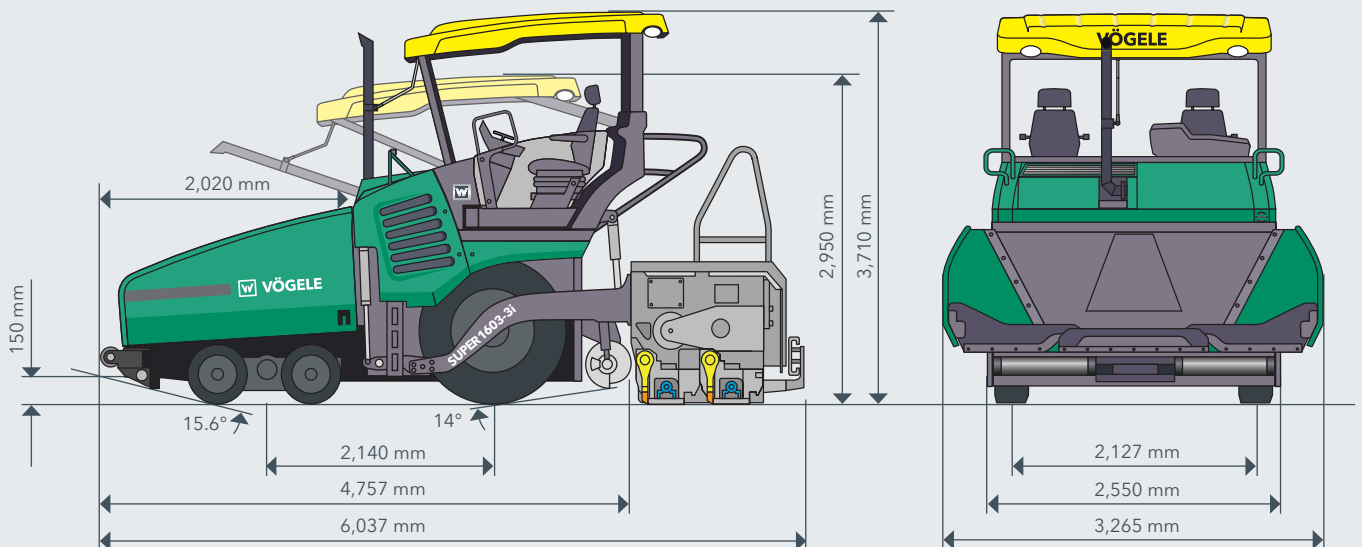
Conveyors		
> Version	2, with replaceable feeder bars, conveyor movement reversible for a short time	
> Drive	separate hydraulic drive provided for each conveyor	
> Speed	up to 34 m/min., infinitely variable (manual or automatic)	
Augers		
> Version	2, with replaceable auger blades, auger rotation reversible	
> Diameter	400 mm	
> Drive	separate hydraulic drive provided for each auger	
> Speed	up to 84 rpm, infinitely variable (manual or automatic)	
> Height	infinitely variable by 15 cm, hydraulic, lowest position 10 cm above the ground	
Lubrication	automatic centralized lubrication system with electrically driven grease pump	
Screed	AB 500	AB 600
Basic width	2.55 m to 5 m	3 m to 6 m
Maximum width	6.5 m 7 m*	
Compacting system	TV	
Layer thickness	up to 30 cm	
Screed heating		
> Version	electric by heating rods	
> Power supply	three-phase AC generator	

Dimensions (transport) and weight

Length		
> Version	tractor unit with screed	
> AB 500/600 TV	6.04 m	
Weight		
> Version	tractor unit with screed	
> AB 500 TV	pave widths up to 5 m: 17,900 kg / pave widths up to 6.5 m: 19,150 kg	

Key: DOC = Diesel Oxidation Catalyst, DPF = Diesel Particulate Filter, SCR = Selective Catalytic Reduction, AB = Extending Screed, TV = with tamper and vibrators
 * The 7 m pave width requires extra equipment and is available on request.

SIDE AND FRONT VIEW



THE HIGHLIGHTS OF THE SUPER 1603-3(i)

- > Powerful and economical drive concept, even when operating at full load and in any climate zone
- > The VÖGELE EcoPlus low-emissions package significantly reduces fuel consumption and noise levels
- > The Pivot Steer steering brake reduces the outside turning circle to 3.5 m
- > Large material hopper with a capacity of 13 tonnes ensures optimum feeding with mix
- > PaveDock Assistant facilitates communication during transfer of mix
- > ErgoPlus 3 operating system with numerous convenient and automatic functions
- > AutoSet Plus functions for quick and safe repositioning on the job site and for storing individual paving programs
- > Niveltronic Plus fully integrated System for Automated Grade and Slope Control
- > Wide range of sensors for flexible use in all applications
- > Wide range of applications at pave widths up to 7 m*
- > Can be combined with the AB 500 TV and AB 600 TV Extending Screeds

FEATURES	SUPER 1603-3i	SUPER 1603-3
> Simple, ergonomic ErgoPlus 3 operating concept	■	■
> Windscreen with windscreen wipers	□	□
> 2 comfortable operator's seats	■	■
> 2 ergonomic heated operator's seats	□	□
> LED light balloon for use at night	□	□
> Powerful, oil-cooled generator	■	■
> VÖGELE EcoPlus low-emissions package	■	□
> PaveDock Assistant communication system	□	□
> Hydraulic hopper front	□	□
> Large 13-tonne capacity material hopper	■	■
> Sonic sensor to control augers	□	□
> Niveltronic Plus System for Automated Grade and Slope Control	□	□
> Ventilation system	□	□
> AutoSet Plus	□	□
> Pivot Steer steering brake	□	□
> WITOS FleetView telematics system	■	■
> WITOS Paving Plus process management solution	□	□
> WITOS Paving Docu paver and paving data recording system	□	□
> VÖGELE RoadScan comprehensive asphalt temperature measuring system	□	□

This list is just an extract of the scope of supply.
Standard features and options may differ by sales region.

■ Standard feature □ Option

* The 7 m pave width requires extra equipment and is available on request.

JOSEPH VÖGELE AG

Joseph-Vögele-Str. 1
67075 Ludwigshafen
Germany

T: +49 621 8105-0
F: +49 621 8105-461
M: marketing@voegele.info

▶ www.voegele.info

