

Technical information

# SUPER 1300i



## Tracked paver SUPER 1300i

Compact Class

### TECHNICAL HIGHLIGHTS

- > Maximum pave width 5 m
- > Maximum laydown rate 350 tonnes/h
- > Transport width 1.85 m
- > Engine output: 75 kW at 2,000 rpm

### SUPER 1300i - Compact dimensions, easy handling

Compact dimensions, easy handling and excellent value for money - that's what the new VÖGELE SUPER 1300i tracked paver has to offer. A member of the Classic Line, it features a range of functions which is focussed on the essentials required by paving teams for successful operations.

The SUPER 1300i can be combined with the AB 340 Extending Screed with tamper (T version), vibrators (V version) or with tamper and vibrators (TV version).

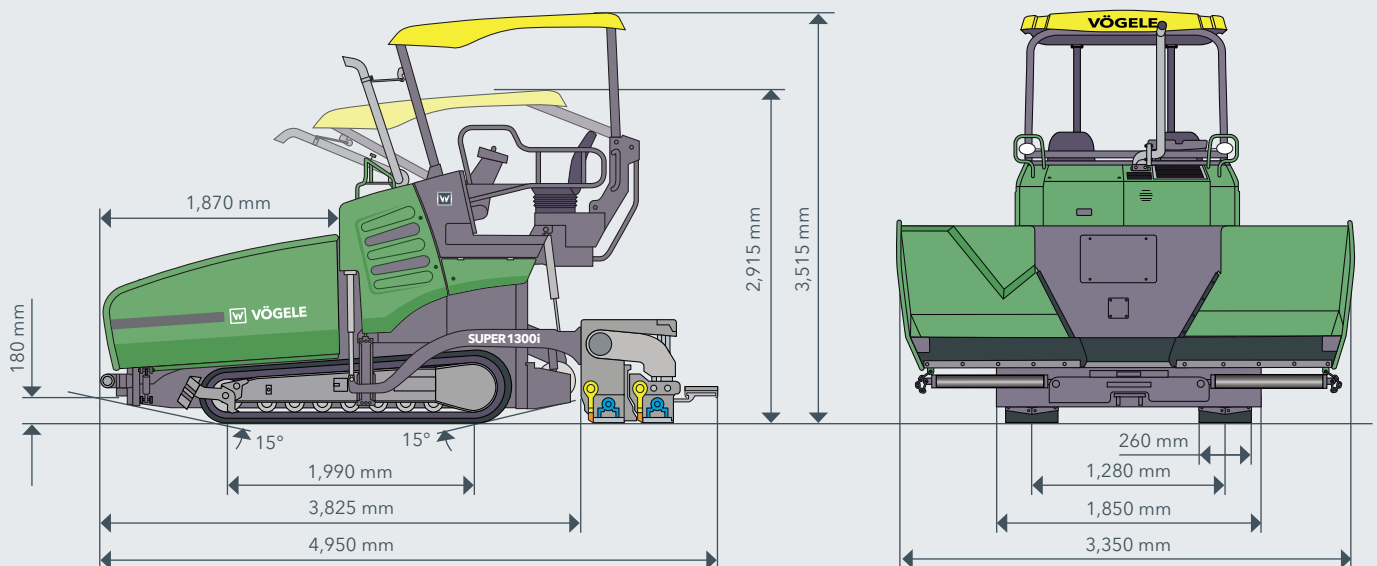


TECHNICAL DATA	SUPER 1300i
<b>Power unit</b>	
<b>Engine</b>	
> Version	liquid-cooled 4-cylinder diesel engine
> Manufacturer	Deutz
> Type	TCD 3.6L4
<b>Output</b>	
> Nominal	75 kW at 2,000 rpm
> ECO mode	68.7 kW at 1,600 rpm
<b>Emissions information</b>	
> Exhaust emissions standards	NR4
> Exhaust gas after-treatment	DOC, DPF, SCR
<b>Fuel tank</b>	110 litres
<b>Undercarriage</b>	
<b>Crawler tracks</b>	
> Version	with rubber pads
> Ground contact	1,990 x 260 mm
> Track tension adjuster	spring assembly
> Lubrication of track rollers	lifetime
<b>Traction drive</b>	electronically controlled separate hydraulic drive provided for each crawler track
<b>Speeds</b>	
> Paving	up to 30 m/min., infinitely variable
> Transport	up to 4.5 km/h, infinitely variable
<b>Material hopper</b>	
<b>Hopper capacity</b>	10 t
<b>Width</b>	3,350 mm
<b>Feed height</b>	580 mm (bottom of receiving hopper)
<b>Push-rollers</b>	
> Standard	oscillating
Position	can be displaced forwards by 80 mm
<b>Conveyors and augers</b>	
<b>Conveyors</b>	
> Version	2, with replaceable feeder bars, direction of conveyor temporarily reversible
> Drive	separate hydraulic drive provided for each conveyor
> Speed	up to 25 m/min., infinitely variable (manual or automatic)

Conveyors and augers	
<b>Augers</b>	
> Version	2, with replaceable auger blades, auger rotation reversible
> Diameter	300 mm
> Drive	separate hydraulic drive provided for each auger
> Speed	up to 80 rpm, infinitely variable (manual or automatic)
<b>Auger height</b>	
> Standard	infinitely variable by 13 cm, mechanical
> Option	infinitely variable by 13 cm, hydraulic
<b>Lubrication</b>	auger bearing via grease nipple
<b>Screed</b>	
	<b>AB 340</b>
<b>Basic width</b>	1.8 to 3.4 m
<b>Maximum width</b>	5 m
<b>Compacting systems</b>	T, V, TV
<b>Min. pave width with system for pave width reduction</b>	0.75 m
<b>Reduction in width</b>	by cut-off shoes 2x52.5 cm
<b>Layer thickness</b>	up to 25 cm
<b>Screed heating</b>	
> Version	electric by heating rods
> Power supply	three-phase AC generator
<b>Dimensions (transport) and weights</b>	
<b>Length</b>	
> Version	paver with screed
> AB 340	4.95 m
<b>Weights</b>	
> Version	paver with screed
> AB 340 TV	for pave width up to 3.4 m: 10,600 kg / for pave width up to 5 m: 11,600 kg

Key: DOC = Diesel Oxidation Catalyst, DPF = Diesel Particulate Filter, SCR = Selective Catalytic Reduction, AB = extending screed, T = with tamper, V = with vibrators, TV = with tamper and vibrators

SIDE AND FRONT VIEW



### SUPER 1300i HIGHLIGHTS

- > Compact Class paver with a wide range of applications and pave widths up to 5 m
- > Simple operation with the innovative and easy-to-grasp ErgoBasic operating concept
- > Powerful diesel engine of the latest generation
- > Crawler tracks with maximum traction and traction drives in controlled loops
- > Can be combined with the AB 340 Extending Screed in the T, V and TV versions

### EQUIPMENT

> Electronic engine management with ECO mode and variable-speed fan drive	<input checked="" type="checkbox"/>
> Modern hardtop, made of a glass fibre-reinforced polymer material	<input type="checkbox"/>
> Operator's seat, luxury, 2 pieces	<input checked="" type="checkbox"/>
> Paver operator's ErgoBasic console and ErgoBasic remote control units for the screed	<input checked="" type="checkbox"/>
> 4 working lights, halogen	<input checked="" type="checkbox"/>
> Rearview mirror, 2 pieces	<input type="checkbox"/>
> All-round beacon	<input type="checkbox"/>
> Auger height adjustment, manual	<input checked="" type="checkbox"/>
> Auger height adjustment, hydraulic	<input type="checkbox"/>
> Sensor for auger control, sonic, 2 pieces	<input checked="" type="checkbox"/>
> Working lights for auger tunnel, 2 pieces	<input type="checkbox"/>
> Grade And Slope Control Niveltronic Basic	<input type="checkbox"/>
> Handset for Niveltronic Basic, 2 pieces	<input type="checkbox"/>
> Various sensor types for Niveltronic Basic	<input type="checkbox"/>
> Screed Assist	<input type="checkbox"/>
> Cleaning agent tank with spray bottle	<input type="checkbox"/>

The list contains only an excerpt from the range of delivery.

Standard Equipment     Options

#### JOSEPH VÖGELE AG

Joseph-Vögele-Str. 1  
67075 Ludwigshafen  
Germany

T: +49 621 8105-0  
F: +49 621 8105-461  
M: marketing@voegele.info

[www.voegele.info](http://www.voegele.info)

