

EDGE PRESSING AND CUTTING DEVICE

OVERVIEW:

- ◇ Edge pressing device for establishing a longitudinal joint or for shaping and compacting contact surfaces in order to prevent water, dirt and roots from penetrating
- ◇ Edge pressing and cutting device for cutting still-warm asphalt to correct mistakes
- ◇ Track indicator for improved alignment of the compaction lane on a mapped-out processing line
- ◇ Water sprinkling system: Preventing the bitumen from adhering
- ◇ DV+ series: Option for separate sprinkling of the edge pressing and cutting device, independently of the drum sprinkling system
- ◇ Small overhang
- ◇ Robust version
- ◇ Option for retroactive attachment
- ◇ Operation: Raise and lower the edge pressing and cutting device using the rocker switch on the drive lever
- ◇ Simple replacement of pressing rolls and cutting discs

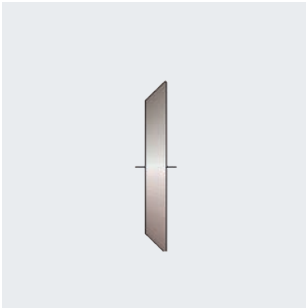
- ◇ 1 Edge pressing and cutting device
- ◇ 2 Track indicator



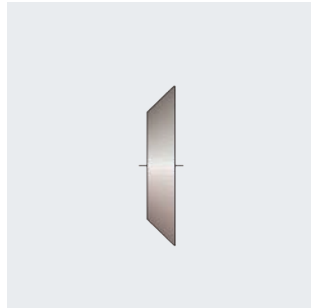
AVAILABILITY:

TYPES		HD 10 - 12 HD 10i - 12i	HD 13 - 14 HD 13i - 14i	HD 70 - 110	HD+ 90 - 140	HD+ 70i - 140i	DV+ 70i - 90i	HP 180, HP 240, HP 280, HP 180i, HP 280i
Configurations	Variant							
Mounting position	Front left		•		•	•	•	
	Front right	•	•	•	•	•	•	
	Rear left						•	
	Rear right						•	•
	Front left and right	•	•			•	•	
	Front right and rear left						•	
	Front right and rear right						•	
Track indicator	Standard			•	•	•	•	
	Option, 1-fold	•	•					
	Option, 2-fold	•	•					
Water sprinkling system	Standard	•	•	•	•	•	•	•
	With electrical preselection	Option	Option	Option	Standard	Standard	Standard	Standard
Pressing roll	45 degrees, 3 cm layer	•	•	•	•	•	•	•
	45 degrees, 5 cm layer	•	•	•	•	•	•	•
	45 degrees, 8 cm layer		•	•	•	•	•	•
	45 degrees, 12 cm layer			•	•	•	•	•
	60 degrees, 3 cm layer	•	•	•	•	•	•	•
	60 degrees, 5 cm layer	•	•	•	•	•	•	•
	60 degrees, 8 cm layer		•	•	•	•	•	•
	60 degrees, 12 cm layer			•	•	•	•	•
	200 mm diameter, 100 mm wide	•	•					
	200 mm diameter, 180 mm wide						•	
	360 mm diameter, 190 mm wide							•
Cutting disc	350 mm diameter	•	•					
	390 mm diameter			•	•	•	•	•

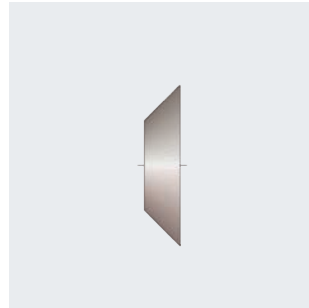
PRESSING ROLLS AND CUTTING DISCS:



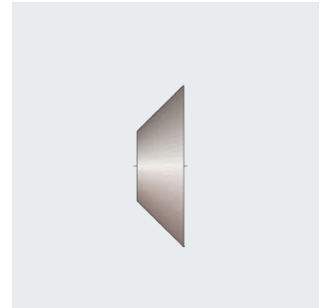
Pressing roll, 45 degrees,
3 cm layer



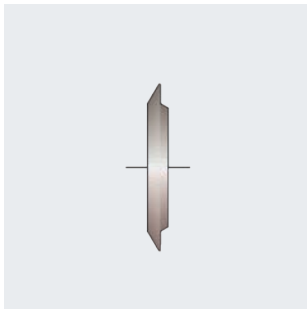
Pressing roll, 45 degrees,
5 cm layer



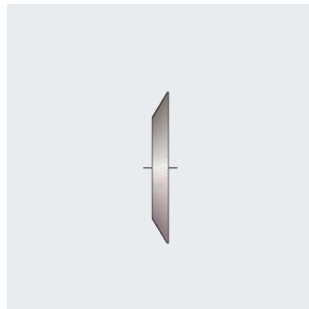
Pressing roll, 45 degrees,
8 cm layer



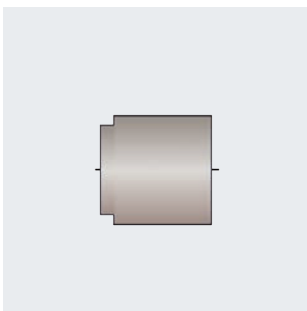
Pressing roll, 45 degrees,
12 cm layer



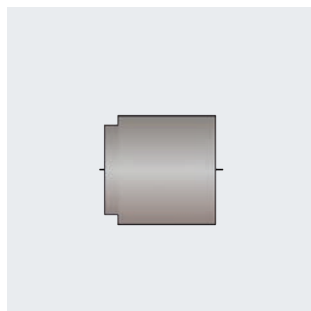
Pressing roll, 60 degrees,
3 cm layer



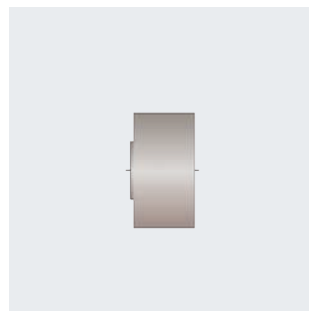
Pressing roll, 60 degrees,
5 cm layer



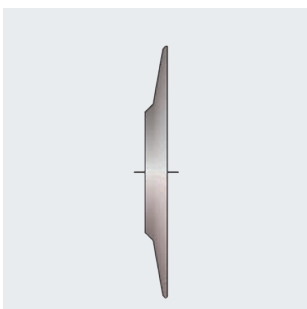
Pressing roll,
200 mm diameter,
100 mm width



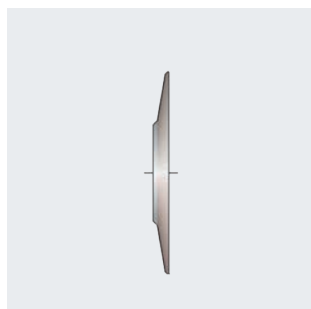
Pressing roll,
200 mm diameter,
180 mm width



Pressing roll,
360 mm diameter,
190 mm width



Cutting disc,
390 mm diameter



Cutting disc,
350 mm diameter