

Technical information

SUPER 1680-3 Li



Tracked paver SUPER 1680-3 Li

Universal Class

TECHNICAL HIGHLIGHTS

- > Maximum pave width 8 m
- > Maximum laydown rate 800 tonnes/h
- > Transport width 2.55 m
- > Engine output: 123 kW at 2,000 rpm

SUPER 1680-3 Li - Innovative tracked paver

The SUPER 1680-3 Li stands out through excellent manoeuvrability and is a versatile tracked paver of the Universal Class. Highly efficient drive units are installed providing for particularly economical and eco-friendly operation.

ErgoPlus 3, the ergonomical VÖGELE system for paver handling, shows how easy operation of cutting-edge technology can be. The material hopper and chassis have been specially adapted to the feed vehicles which are customary in China.



TECHNICAL DATA	SUPER 1680-3 Li
Power unit	
Engine	
> Version	liquid-cooled 4-cylinder diesel engine
> Manufacturer	Foton Cummins
> Type	F4.5
Output	
> Nominal	123 kW at 2,000 rpm (according to DIN)
> ECO mode	119 kW at 1,700 rpm
Emissions information	
> Exhaust emissions standards	NR4
Fuel tank	220 litres
Undercarriage	
Crawler tracks	
> Version	with rubber pads
> Ground contact	2,410 x 305 mm
> Track tension adjuster	spring assembly
> Lubrication of track rollers	lifetime
Traction drive	electronically controlled separate hydraulic drive provided for each crawler track
Speeds	
> Paving	up to 24 m/min., infinitely variable
> Transport	up to 4.5 km/h, infinitely variable
Material hopper	
Hopper capacity	15 t
Width	3,265 mm
Feed height	615 mm (bottom of receiving hopper)
Push-rollers	
> Standard	oscillating
Position	can be displaced forwards by 75 mm or 150 mm
Conveyors and augers	
Conveyors	
> Version	2, with replaceable feeder bars, conveyor movement reversible for a short time
> Drive	separate hydraulic drive provided for each conveyor
> Speed	up to 33 m/min., infinitely variable (manual or automatic)

Conveyors and augers

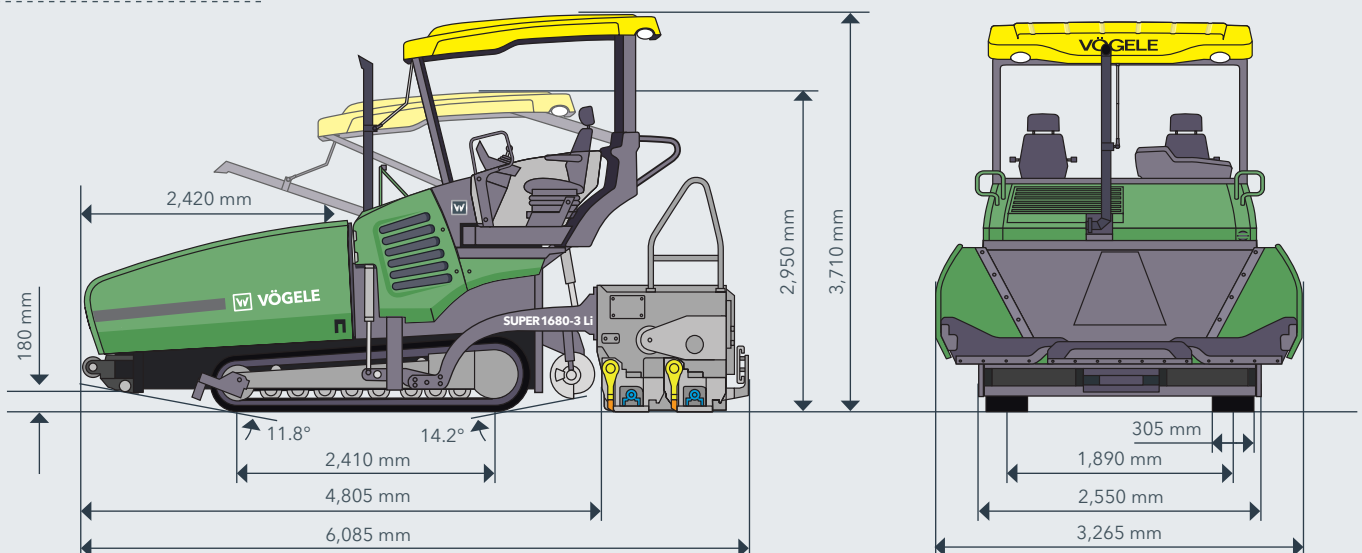
Augers		
> Version	2, with replaceable auger blades, auger rotation reversible	
> Diameter	400 mm	
> Drive	separate hydraulic drive provided for each auger	
> Speed	up to 84 rpm, infinitely variable (manual or automatic)	
Auger height		
> Version	infinitely variable by 15 cm, mechanical, lowest position 10 cm above the ground	
Lubrication		
	automatic centralized lubrication system with electrically driven grease pump	
Screeds		
	AB 500	AB 600
Basic width	2.55 to 5 m	3 to 6 m
Maximum width	8 m	
Compacting system	TV	
Layer thickness	up to 30 cm	
Screed heating		
> Version	electric by heating rods	
> Power supply	three-phase AC generator	

Dimensions (transport) and weights

Length		
> Version	paver with screed	
> AB 500/600	6.1 m	
Weights		
> Version	paver with screed	
> AB 500 TV	for pave width up to 5 m: 19,400 kg / for pave width up to 8 m: 23,600 kg	
> AB 600 TV	for pave width up to 6 m: 19,080 kg / for pave width up to 8 m: 23,000 kg	

Key: AB = extending screed, TV = with tamper and vibrators

SIDE AND FRONT VIEW



SUPER 1680-3 Li HIGHLIGHTS

- > Universal Class paver with a wide range of applications and pave widths up to 8 m
- > Powerful and economic drive concept with a modern diesel engine
- > ErgoPlus 3 operating system with numerous convenient and automatic functions
- > Even difficult terrain is no problem for the SUPER 1680-3 Li thanks to its powerful crawler tracks and accurate steering
- > Especially large oscillating push-rollers ensure convenient and shock-free docking of feed vehicles even on bends
- > Can be combined with the AB 500 and AB 600 Extending Screeds in the TV version

EQUIPMENT

> Electronic engine management with ECO mode and variable-speed fan drive	■
> ErgoPlus 3 operating concept with numerous additional ergonomic and functional advantages	■
> Modern hardtop, made of a glass fibre-reinforced polymer material	■
> Operator's seat, luxury, 2 pieces	■
> 6 working lights, LED	■
> GPS system	■
> Sensor for auger control, sonic	■
> Auger extensions, 2 x 1 m	□
> Limiting plates for auger tunnel, hinged	□
> Automated Grade and Slope Control Niveltronic Plus	□
> Various sensor types are available for the Niveltronic Plus	□
> Hand press for lubrication	□
> Washdown system with hose reel	■

The list contains only an excerpt from the scope of delivery.

■ Standard equipment □ Options

JOSEPH VÖGELE AG

Joseph-Vögele-Str. 1
67075 Ludwigshafen
Germany

T: +49 621 8105-0
F: +49 621 8105-461
M: marketing@voegele.info

▶ www.voegele.info

