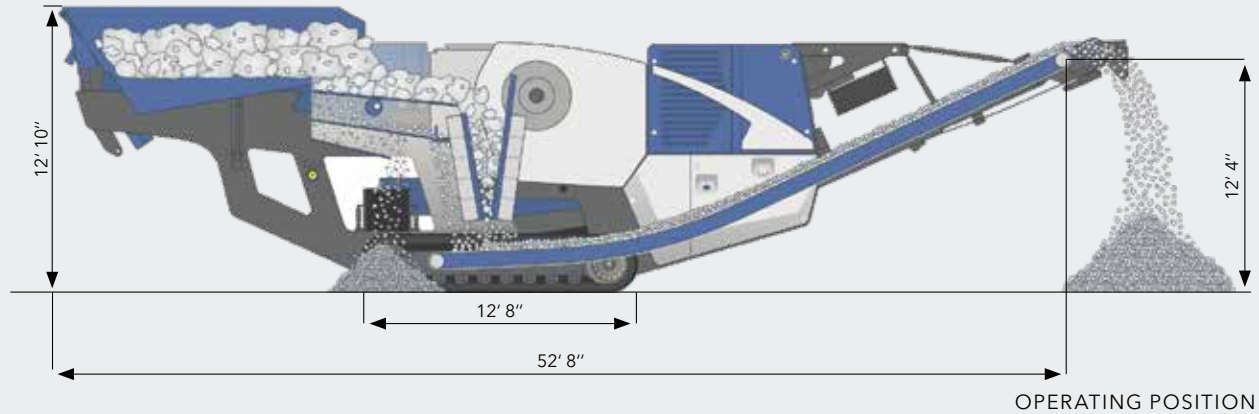


TECHNICAL INFORMATION | TRACK-MOUNTED JAW CRUSHERS

MOBICAT MC 110i EVO2





TECHNICAL HIGHLIGHTS

- Continuous Feed System (CFS) for optimum crusher loading
- Innovative crusher unblocking system for reduced downtimes
- Innovative overload and control systems to protect the crusher
- Independently vibrating double-deck prescreen
- Efficient and powerful diesel-directdrive
- Simple and intuitive SPECTIVE control concept

TECHNICAL INFORMATION MC 110i EVO2

Feeding unit

Feed capacity up to approx. (US t/h) ¹⁾	441
Feed size max. (inch)	39" x 24"
Feed height (with extension) (inch)	12' 10" (14' 1")
Width x length (with extension) (inch)	6' 9" x 11' 1" (9' 1" x 11' 6")
Hopper volume (with extension) (yd ³)	5.8 (10)

Vibrating feeder

Width x length (inch)	40" x 8' 6"
-----------------------	-------------

Prescreening

Type	Double-deck heavy-piece screen
Width x length (inch)	40" x 6' 1"

Side discharge conveyor²⁾

Width x length (inch)	20" x 16' 5"
Discharge height approx. (inch)	9' 8"

Crusher

Single toggle jaw crusher model	STR 110 - 070
Crusher inlet width x depth (inch)	44" x 28"
Crusher weight approx. (lbs)	37,500
Crusher drive type, approx. (hp)	direct, 215
Gap width adjustment range (inch) ³⁾	1.2" - 7"
Crusher gap adjustment	Fully hydraulic

Crushing capacity⁴⁾

Crushing capacity with CSS = 2.4" up to approx. (US t/h)	127 - 143
Crushing capacity with CSS = 3.9" up to approx. (US t/h)	210 - 232

Crusher discharge conveyor

Width x length (inch)	39" x 36' 1"
Discharge height approx. (inch)	12' 4"

Power supply unit

Drive concept	diesel-direct ⁵⁾
Drive output of Scania diesel engine (hp)	326
Generator (kVA)	88

Transport

Transport height approx. (inch)	11' 2"
Transport length approx. (inch)	46' 4"
Max. transport width (inch)	9' 10"
Transport weight of basic plant - max. configuration (lbs)	99.300 - 106.350

¹⁾ Depending on the type and composition of the feed material, as well as the feed size, the prescreening and the desired final grain size

²⁾ Side discharge conveyor remains attached to the plant for transportation

³⁾ CSS: Top - bottom; the gap width can be adjusted by the use of special crusher jaws

⁴⁾ For hard stone, CSS = Close Side Setting

⁵⁾ Crusher drive, direct, all other main drives are electrical



MOBICAT MC 110i EVO2

The jaw crusher MOBICAT MC 110i EVO2 is used for the pre-crushing of almost all natural stones and in recycling. Compact dimensions, efficient prescreening, simple operation via SPECTIVE and impressive production outputs characterize this efficient key player.

STANDARD EQUIPMENT

- Hydraulically foldable feed hopper
- Frequency-controlled vibrating feeder, frequency-controlled prescreen. Automatic control as a function of the crusher level thanks to CFS (Continuous Feed System)
- Extended side discharge conveyor, hydraulic folding, right side, with reinforced conveyor belt, remains on the machine for road transport
- Intelligent overload system with short-term overloading at selected points for protection of the crusher preparation for active overload system
- Intelligent load reduction system during long operation under extraordinarily high forces to protect the crusher
- Prescreen platform in right feed direction next to the chute for maintenance and service activities
- Jaw crusher with crusher jaws made of high-grade manganese steel
- Control concept SPECTIVE: menu-prompted user interface, 12 inch operator panel, lockable control cabinet, dust- and vibration-protected; Telematics system WITOS FleetView for efficient Fleet and Service Management
- SPECTIVE remote control: Wired and radio remote control incl. switch-off function for feeding unit
- Extended crusher discharge conveyor, hydraulically foldable; with reinforced conveyor belt
- Drum scraper crusher discharge conveyor
- Basic preparation of magnet, with permanent magnetic separator
- Water spray system for dust reduction
- Well-thought-out lighting concept for safe plant operation
- Water pump with pressure monitoring
- Line coupling for interlinking with other KLEEMANN plants

OPTIONS

- SPECTIVE CONNECT for displaying all important machine information directly on the smartphone
- Hopper extension up to entire hopper volume of approx. 10 yd³, rigid design
- Hopper filling aids for rearward loading: Width of feed opening 11' 6"
- Short side discharge conveyor, discharge height approx. 6' 9"; remains on the machine for transport
- Large selection of different prescreen surfaces for lower and upper decks
- Crusher unblocking system, for starting up the crusher when crushing chamber is full, forward and reverse movement possible
- Active overload system, very fast reaction to overload, automatic repositioning of the gap
- Deflector plate (standard) additionally with change elements
- Diesel refueling pump: Hose system incl. pump, refueling from a separate tank possible
- Camera system for monitoring the feeding unit and the crusher from the ground, available with additional wireless extension
- Small radio remote control with the most important operating functions
- Reinforced conveyor belt for crusher discharge conveyor
- Crusher discharge conveyor belt cover
- Belt scale available for crusher discharge conveyor
- Climate packages: Heat and cold package
- Increased engine air intake for lower dust load
- Premium lighting for expanded illumination of work areas
- Quick Track for selecting machine operating mode quickly and easily, operation via radio remote control



SPARE PARTS

Economic operation of the machine also requires the selection of the correct wear parts. The KLEEMANN original parts are optimally designed to meet the requirements of users and the machine and are characterised by a long service life, superior quality, good availability and simple assembly. Thanks to our application know-how and competent advice, we help our customers to find the optimal wear part for their individual application.

APPLICATION-SPECIFIC WEAR PARTS

<p>Crusher jaws</p> <p>RT (regular teeth)</p>		<ul style="list-style-type: none"> ☒ Well-balanced in terms of service life, energy requirement and crushing pressure ☒ Suitable for natural stone and gravel
<p>FT (flat teeth)</p>		<ul style="list-style-type: none"> ☒ The higher wear dimensions mean that the flat teeth are particularly effective on abrasive material ☒ This produces higher compressive stress and therefore requires more energy
<p>WT (wavy-teeth)</p>		<ul style="list-style-type: none"> ☒ The special tooth profile significantly reduces or even entirely prevents the adhesion of the cohesive material ☒ For recycling applications
<p>Conveyor belts</p>		<ul style="list-style-type: none"> ☒ Endless closed three- or multi-layer conveyor belts are suitable for all requirements in quarries and gravel pits and increase the conveying capacity of the plants ☒ Solid rubber edges ensure optimal material handling ☒ Elastic rubber intermediate plates mute impacts from different materials
<p>Slotted grates</p>		<ul style="list-style-type: none"> ☒ Flexible prescreening possible by simply replacing the entire slotted grate ☒ Expansion of gap width in direction of material flow guarantees a continuous screening capacity ☒ Available in different sizes
<p>Punched plates</p>		<ul style="list-style-type: none"> ☒ Easing of burden on crusher with prescreening of fines ☒ The offset arrangement of the round holes permits optimal separation results ☒ Flexible prescreening possible with simple exchange of punched plates ☒ Avoidance of laminated grain in the product ☒ Available in different sizes
<p>Screen surfaces</p>		<ul style="list-style-type: none"> ☒ Screen surfaces with different mesh shapes, wire qualities and thicknesses available: <ul style="list-style-type: none"> > Square mesh > Rectangular mesh > Harp screens (G-harp, W-harp, S-harp, Varia harp)

For further information, visit www.partsandmore.net or see our "Parts and more" catalog