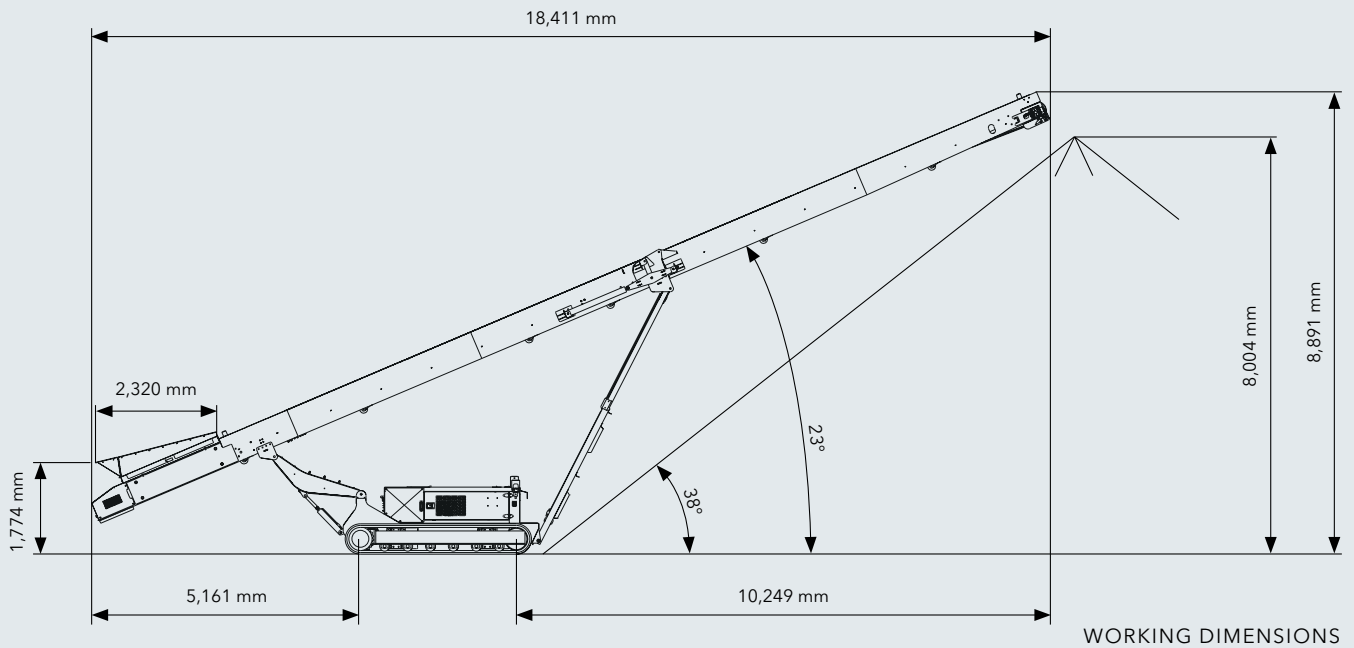




TECHNICAL INFORMATION | TRACK-MOUNTED STACKER

MOBIBELT MBT 20





TECHNICAL HIGHLIGHTS

- +
 - ▣ The high flexibility and mobility of the MBT 20 ensures that the build-up of stockpiles, or the material transfer from mobile crushing and screening plants, takes place as quickly and efficiently as possible
 - ▣ Use of wheel loaders can possibly be avoided as well as duplicated material handling
- ▣ Short setup times
 - ▣ Hydraulically adjustable feed height for reducing the impact during material transfer from upstream crushing and screening plants
 - ▣ Hydraulically foldable conveyor belt head part
 - ▣ Hydraulically adjustable discharge height

TECHNICAL INFORMATION MBT 20

Feeding unit

Feed capacity approx. (t/h)	450
Feed capacity max. (mm)	200
Hopper volume (m ³)	1.2

Conveyor belt

Width x length (mm)	1,000 x 20,000
Discharge height (mm) at 23° belt inclination	8,700 ¹⁾
Stockpile volume (m ³) at 23° belt inclination	900 ²⁾ (at 38° tipping angle)
Belt specifications	EP400/3 5+1.5
Belt conveyor drive (cm ³)	630, hydraulic motor
Troughing angle	45°

Power supply unit

Drive concept	Diesel-hydraulic
ISUZU diesel engine drive power (kW)	36-47
Diesel tank capacity (l)	200

Dimension and weights

Working Dimensions:	
Width x length (mm)	2,230 x 18,415
Height (mm)	8,900
Transport dimensions:	
Transport length (mm)	12,200
Transport width (mm)	2,230
Transport height max. (mm)	2,600
Weight with standard equipment (kg)	10,500

¹⁾ at 22-23° belt inclination

²⁾ at 22-23° belt inclination, at 37-38° tipping angle

³⁾ depending on the respective exhaust emission standard

Standard equipment: Powerpack 36 kW (Tier 3/ Stage IIIA) / feed hopper with impact station 1.2 m³ / conveyor belt scraper / 3-layer conveyor belt (EP400, 5+1.5) / drive control cable + radio

Options: Powerpack 47 kW (Tier 4F/ Stage IV) / extended feed hopper with impact bar 2.5 m³ / conveyor belt head scraper / cleated belt / Dual Power for either electro-hydraulic or diesel-hydraulic drive / feeding unit support for increased stability / hopper wear plate / screen blanket / continuous material guide ledges / belt cover for reducing dust development / spray system on belt discharge for reducing dust development